

## Product characteristic

ZQ series electric ball valve is a sphere around the center line of the body as a rotation to achieve an electric ball valve open and close. Sphere without support shaft, a sphere by two seats holding the "floating" state, it is mainly used for cutting on pipeline, distribution and change the flow direction of medium. With flow capacity coefficient of flow resistance is small, functional reliable performance, simple structure, convenient maintenance, long service life, etc. For a variety of fluid, such as gas liquid medium in the pipeline automatic opening and closing, so as to achieve program control systems and equipment or remote control, etc. Widely used in chemical, petroleum, natural gas, gas, metallurgy, power plant and other industries.

## Working principle

ZQ Series electric ball valve divided into switch Type and modulate Type

ZQ series electric ball valve divided into 2-way type and 3-way type. The 2-way general type is divided into 2 pieces thread, 2 pieces flange, 3 pieces thread, 3-way divided into L type and T type.

ZQ series electric ball valve switch type, it use a 380 v/ 220 v/110 vac or 24 vdc as driving supply power, control of electric actuators are stem drive valve body ball 0° ~ 90° rotating ball valve opening and closing, realize the automatic control.

ZQ series electric modulating ball valve, it use a 380 v/ 220 v/110 vac as driving supply power, with 4 20 ma current signal or 0

10 v DC voltage signal to control signal, control electric actuators to spin valve rod drives the body ball to valve movement

required position, realize the automatic control.

## Installation and using

1. The electric ball valve installations unprincipled requirements, but electric actuators in level state, the electric box cover is in the water flat or vertical status for the recommended installation form, it is good for soothing, debugging, maintenance and manual operation.
2. When installation should guarantee the space required for worker.
3. Connected to the flange body bolts shall be not less than 8.8 level on the richter scale are unlikely.
4. When the need to remove, should be the manual handwheel number of turns, the valve slightly open.
5. Installation, disassembly, commissioning shall not damage the sealing surface, cover tightly seal electrical cover should be tightened, in case of rain or moisture to enter.
6. Windows may not collide with hard objects.
7. When the valve is not often use, should be regular inspection and maintenance and operation, suggest that at least once a month.

## Order attention

You should indicate the type specification when you order it, provide a detailed technical parameters, such as: operating mode (switch type or modulate type?) Voltage, medium, medium temperature, body material, max working pressure, orifice size, connection mode and size, environment temperature, etc.

## ZQ series electric ball valve main technology parameter

1. Power voltage: AC220V / AC110V AC380V / 440v DC24V DC12VDC110V DC220V
2. Hole: 2M18
3. Medium temperature: - 20 C to 200°C
4. Fluid medium: water, oil, air and some corrosive liquid
5. Mode of action: switch type electric actuator drive valve body sphere to 0 C ~ 90° ± 10°  
modulate type electric actuator body sphere rotates to the valve movement required position
6. Working pressure: standard 0 ~ 2.5 Mpa Optional 0 ~ 4.0 Mpa
7. Body material: standard SS304 (Cf8) special made SS316 (CF8M)
8. DN size: DN15 ~ DN200
9. Connection type: thread connection 1/4" , 3/8" , 1/2" , 3/4" , 1" , 1 1/4" 1 1/2" 2" , 3" , 4" ,  
standard D1E259/2999 Flange connection 15 F, 20F, 25F, 32 F, 40F, 50 F 65 F 80F  
100F 125F 150F 200F standard GB9113

## Product overview

2-way electric high temperature ball valve seat, the seal is made of high temperature special PPL replace of TEFLON, use of special processing technology, Has a better high temperature resistance, thermal stability, corrosion resistance and have self lubricating. 2-way electric high temperature ball valve life 3 5 times that of conventional 2-way ball valve. Medium: water, steam, thermal oil, acids, etc. Medium temperature: -20 ° C 200 ° C.

## Product characteristic

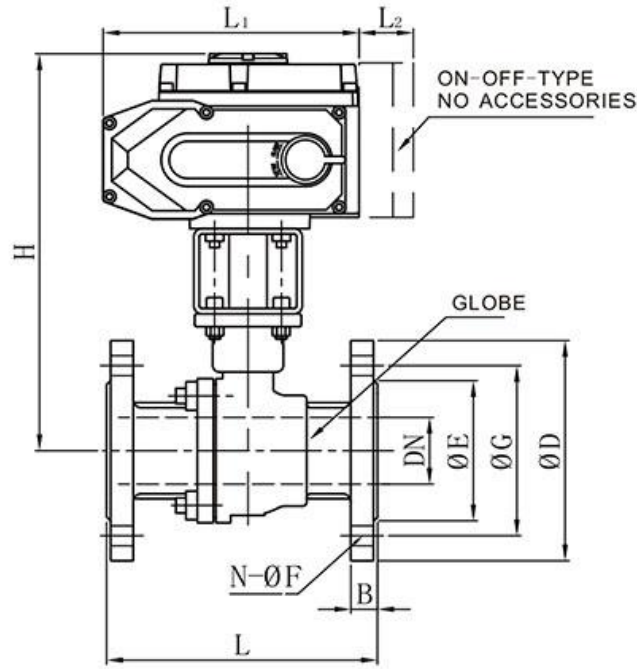
1. Applicable for a big pressure difference in the pipe strict sealing of the switch and cut off the pipeline high temperature medium process and the high temperature fluid flow control system.
2. Applicable for different kinds of fluid medium and realize 2-way flow.
3. Fluid resistance small, ball valve is the smallest of all valve fluid resistance class
4. The seat sealing performance is good, use PPL as sealing ring, structure is easy to close seal and ball valve sealing ability increases as the pressure medium.
5. Bottoms type valve stem and the head of valve stem head is special design, such as fire stem seal damage, the valve stem Convex sets and the body can also be formed between the metal contact, to ensure that the valve stem seal.



## Valve Selection List(GB Series)

Size	Orifice mm	CV Facto	Operating Pressure Differential ( bar )	Fluids Temp.	Actuator		L×W×H	Weight KG	Model Code 220VAC 50/60HZ
			Neutral gas, neutral liquids Petrochemical products, corrosive medium	°C	Voltage AC	Torque N·M			
DN15	15	4.5	0-16	-20-200	220V	50	130×95×216	6.5	DQ82CA20P321015
								8.0	DQ82CA20P321015K
DN20	20	7.5	0-16	-20-200	220V	50	130×105×222	7.5	DQ82CA20P321020
								9.0	DQ82CA20P321020K
DN25	25	12	0-16	-20-200	220V	50	140×115×232	8.5	DQ82CA20P321025
								10	DQ82CA20P321025K
DN35	35	24	0-16	-20-200	220V	80	165×140×255	10	DQ82CA20P321035
								12	DQ82CA20P321035K
DN40	40	29	0-16	-20-200	220V	100	165×150×268	13	DQ82CA20P321040
								15	DQ82CA20P321040K
DN50	50	48	0-16	-20-200	220V	150	203×165×285	16	DQ82CA20P321050
								18	DQ82CA20P321050K
DN65	65	52	0-16	-20-200	220V	300	241×185×340	28	DQ82CA20P321065
								30	DQ82CA20P321065K
DN80	80	80	0-16	-20-200	220V	400	283×200×367	31	DQ82CA20P321080
								33	DQ82CA20P321080K
DN100	100	128	0-16	-20-200	220V	600	305×235×394	44	DQ82CA20P3210100
								46	DQ82CA20P3210100K
DN125	125	165	0-16	-20-200	220V	1600	381×270×626	112	DQ82CA20P3210125
								114	DQ82CA20P3210125K
DN150	150	215	0-16	-20-200	220V	1600	403×300×644	126	DQ82CA20P3210150
								128	DQ82CA20P3210150K
DN200	200	300	0-16	-20-200	220V	2000	502×360×696	170	DQ82CA20P3210200

### Dimensions



DN(mm)	SIZE ( mm )									Mode code AC220V
	L	D	G	E	B	N-F	H	L1	L2	
15	130	95	65	46	14	4-14	216	160		DQ-005
									40	DQ-005K
20	130	105	75	56	16	4-14	222	160		DQ-005
									40	DQ-005K
25	140	115	85	65	16	4-14	232	160		DQ-005
									40	DQ-005K
32	165	140	100	76	18	4-18	255	160		DQ-008
									40	DQ-008K
40	165	150	110	84	18	4-18	268	189		DQ-010
									40	DQ-010P
50	203	165	125	99	20	4-18	285	189		DQ-015
									40	DQ-015K
65	241	185	145	118	22	4-18	340	268		DQ-030
									40	DQ-030K
80	283	200	160	132	24	8-18	367	268		DQ-040
									40	DQ-040K
100	305	235	190	156	24	8-22	394	268		DQ-060
									40	DQ-060K
125	381	270	220	184	26	8-26	626	508		DQ-160
									40	DQ-160K
150	403	300	250	211	28	8-26	644	508		DQ-160
									40	DQ-160K
200	502	360	310	274	30	12-26	696	508		DQ-200
									40	DQ-200K