

Product characteristic

ZQ series electric ball valve is a sphere around the center line of the body as a rotation to achieve an electric ball valve open and close. Sphere without support shaft, a sphere by two seats holding the "floating" state, it is mainly used for cutting on pipeline, distribution and change the flow direction of medium. With flow capacity coefficient of flow resistance is small, functional reliable performance, simple structure, convenient maintenance, long service life, etc. For a variety of fluid, such as gas liquid medium in the pipeline automatic opening and closing, so as to achieve program control systems and equipment or remote control, etc. Widely used in chemical, petroleum, natural gas, gas, metallurgy, power plant and other industries.

Working principle

ZQ Series electric ball valve divided into switch Type and modulate Type

ZQ series electric ball valve divided into 2-way type and 3-way type. The 2-way general type is divided into 2 pieces thread, 2 pieces flange, 3 pieces thread, 3-way divided into L type and T type.

ZQ series electric ball valve switch type, it use a 380 v/ 220 v/110 vac or 24 vdc as driving supply power, control of electric actuators are stem drive valve body ball 0° ~ 90° rotating ball valve opening and closing, realize the automatic control.

ZQ series electric modulating ball valve, it use a 380 v/ 220 v/110 vac as driving supply power, with 4 20 ma current signal or 0

10 v DC voltage signal to control signal, control electric actuators to spin valve rod drives the body ball to valve movement

required position, realize the automatic control.

Installation and using

1. The electric ball valve installations unprincipled requirements, but electric actuators in level state, the electric box cover is in the water flat or vertical status for the recommended installation form, it is good for soothing, debugging, maintenance and manual operation.
2. When installation should guarantee the space required for worker.
3. Connected to the flange body bolts shall be not less than 8.8 level on the richter scale are unlikely.
4. When the need to remove, should be the manual handwheel number of turns, the valve slightly open.
5. Installation, disassembly, commissioning shall not damage the sealing surface, cover tightly seal electrical cover should be tightened, in case of rain or moisture to enter.
6. Windows may not collide with hard objects.
7. When the valve is not often use, should be regular inspection and maintenance and operation, suggest that at least once a month.

Order attention

You should indicate the type specification when you order it, provide a detailed technical parameters, such as: operating mode (switch type or modulate type?) Voltage, medium, medium temperature, body material, max working pressure, orifice size, connection mode and size, environment temperature, etc.

ZQ series electric ball valve main technology parameter

1. Power voltage: AC220V / AC110V AC380V / 440v DC24V DC12VDC110V DC220V
2. Hole: 2M18
3. Medium temperature: - 20 C to 200°C
4. Fluid medium: water, oil, air and some corrosive liquid
5. Mode of action: switch type electric actuator drive valve body sphere to 0 C ~ 90° ± 10°
modulate type electric actuator body sphere rotates to the valve movement required position
6. Working pressure: standard 0 ~ 2.5 Mpa Optional 0 ~ 4.0 Mpa
7. Body material: standard SS304 (Cf8) special made SS316 (CF8M)
8. DN size: DN15 ~ DN200
9. Connection type: thread connection 1/4" , 3/8" , 1/2" , 3/4" , 1" , 1 1/4" 1 1/2" 2" , 3" , 4" ,
standard D1E259/2999 Flange connection 15 F, 20F, 25F, 32 F, 40F, 50 F 65 F 80F
100F 125F 150F 200F standard GB9113

Product overview

2-way electric high temperature ball valve seat, seal is made of high temperature special PPL replace of TEFLON, use of special processing technology, Has better high temperature resistance, thermal stability, corrosion resistance and have self lubricating. 2-way electric high temperature ball valve life 3 5 times that of conventional 2-way ball valve. Medium: water, steam, thermal oil, acids, etc. Medium temperature: -20 ° C、200 ° C.

Product characteristic

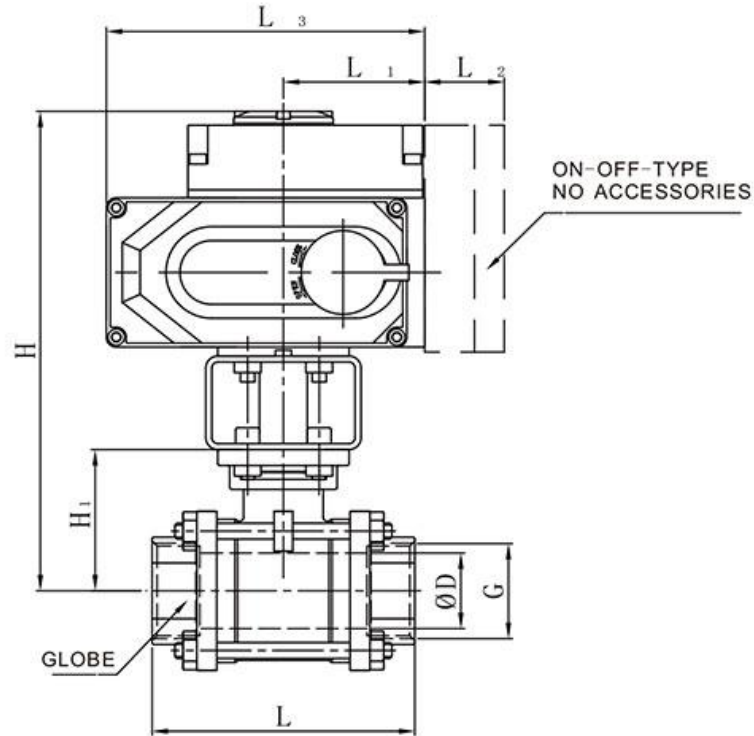
1. Applicable for pipe a big pressure difference , strict sealing o the switch and cut off the pipeline high temperature medium process and the high temperature fluid flow control system.
2. Applicable for different kinds of fluid medium and realize two-way flow.
3. Fluid resistance small, ball valve is the smallest of all valve fluid resistance classo
4. The seat sealing performance is good, use PPL as sealing ring, structure is easy to close Seal and ball valve sealing ability increases as the pressure medium.
5. Bottoms type valve stem and the head of valve stem head is special design, such as fire stem seal damage, the valve stem Convex sets and the body can also be formed between the metal contact, to ensure that the



Valve Selection List

Size	Orifice mm	CV Facto	Operating Pressure Differential (bar)	Fluids Temp.	Actuator		L x W x H	Weight KG	Model Code 220VAC 50/60HZ
			Neutral gas, neutral liquids Petrochemical products, corrosive medium	°C	Voltage AC	Torque N · M			
1/2 "	15	4.5	0-16	-20-200	220V	30	79×155	3.0	DQ84SA20P320415
						50	79×163	5.5	DQ84SA20P320415K
3/4 "	20	7.5	0-16	-20-200	220V	30	82×162	3.0	DQ84SA20P320520
						50	82×170	5.5	DQ84SA20P320520K
1"	25	12	0-16	-20-200	220V	30	90×172	3.5	DQ84SA20P320625
						50	90×180	6.0	DQ84SA20P320625K
1-1/4"	35	24	0-16	-20-200	220V	50	112×184	6.0	DQ84SA20P320735
								7.5	DQ84SA20P320735K
1-1/2"	40	29	0-16	-20-200	220V	80	120×192	6.5	DQ84SA20P320840
								8.0	DQ84SA20P320840K
2"	50	48	0-16	-20-200	220V	100	144×207	9.0	DQ84SA20P320950
								10.5	DQ84SA20P320950K
2-1/2"	65	52	0-16	-20-200	220V	200	176×264	20.5	DQ84SA20P322165
								22	DQ84SA20P322165K
3"	80	80	0-16	-20-200	220V	300	200×273		DQ84SA20P322380
									DQ84SA20P322380K
4"	100	128	0-16	-20-200	220V	400	227×304		DQ84SA20P3224100
									DQ84SA20P3224100K

Dimensions



DN(mm)	SIZE (mm)							Mode code AC220V
	ΦD	L	H ₁	H	L ₁	L ₃	L ₂	
1/2"	15	79	42	210	70	160	--	DQ-005
							40	DQ-005K
3/4"	20	82	49	217	70	160	--	DQ-005
							40	DQ-005K
1"	25	90	59	227	70	160	--	DQ-005
							40	DQ-005K
1-1/4"	32	112	63	230	70	160	--	DQ-008
							40	DQ-008K
1-1/2"	38	120	71	263	70	189	--	DQ-010
							40	DQ-010K
2"	50	144	78	270	82	189	--	DQ-015
							40	DQ-015K
2-1/2"	65	176	100	337	116	268	--	DQ-030
							40	DQ-030K
3"	76	200	109	363	116	268	--	DQ-040
							40	DQ-040K
4"	100	227	140	411	116	268	--	DQ-060
							40	DQ-060K