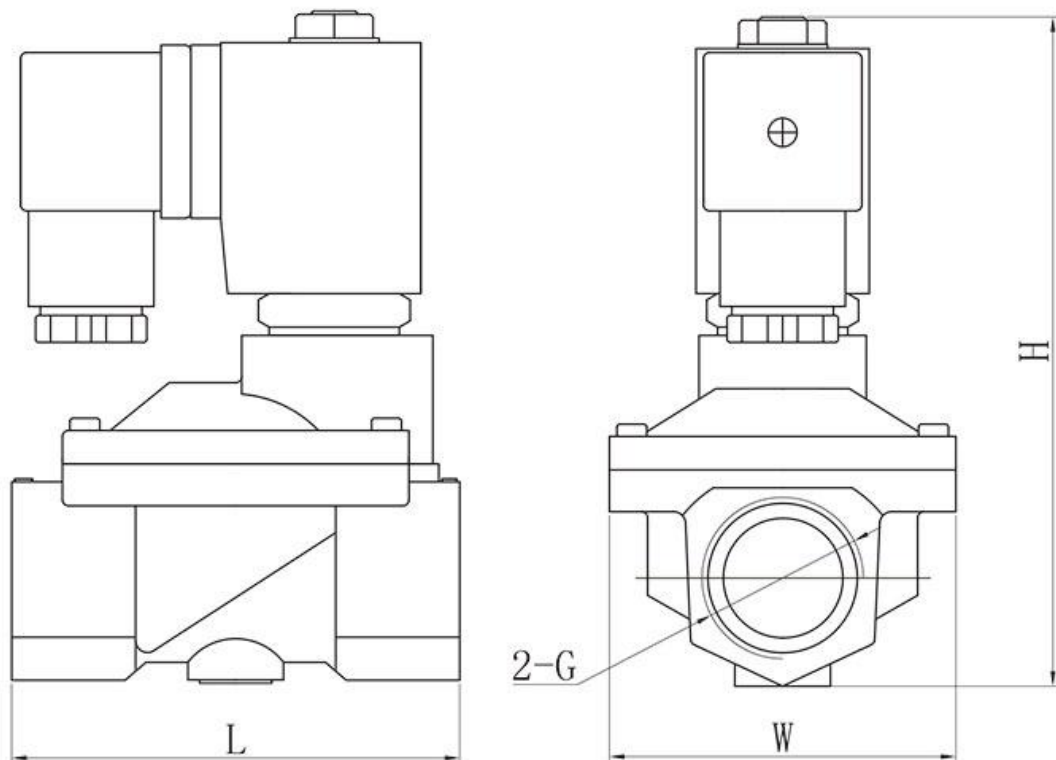


1			2	3	4	5	6	7	8
Sc76			Coil Types	Voltage	Seal Material	Body Material	Pipe Size	Orifice	Options
S	C	76	Z	D24	N	31	04	15	L
S= Special valve	C= Normally Closed	76= Latching Solenoid valve	Z= Latching	D06=DC6V D12=DC12V D24=DC24V	N=NBR V=VITON E=EPDM	31=Brass 33=SS316	03=3/8" 04=1/2" 05=3/4" 06=1" 07=1 1/4" 08=1 1/2" 09=2" 10= Flange connection	15=15 20=20 25=25 35=35 40=40 50=50	L=Neon Lamp N=NPT Thread

External Dimensions



G	L	W	H	MODEL	G	L	W	H	MODEL
3/8	67	48	108	SC76-15	1 1/4	131	96	145	SC76-35
1/2	67	48	108		1 1/2	131	120	145	SC76-40
3/4	75	58	113	SC76-20	2	120	113	157	SC76-50
1	96	70	126	SC76-25					

Characteristics

1. This series valve is famous for sensitive reaction and high pressure.
2. Usually be used to circuit control board connection, ifs good for energy saving.
3. Widely used to 1C card gas combustion meter, water saving irrigation, water meter and various automatism sanitation.
4. The core of the valve can be pulled and stretched to be the good shape, with good strictness, credibility, sensitive reaction and long life-spen.
5. Voltage:DC6V/DC12V/DC24V
6. Seals:NBR,VITON,EPDM
7. Valve body:Brss ss304
8. Pulse:Wid+h:50~80ms

Using Condition

Fluid Media: Water, Gas(but not corrosive)
Fluids Temp.:≤ 6CTC,Pis use at the area which relative Temp, can not over then 85%



Valve Selection List

Pipe Size G	Orifice mm	CV rate	Pressure (bar)		Coil Type	Power		Externsions Dimensions L x W x H	Weight KG	Model Code 220VAC 50/60HZ
			Air Gas	liquid		To confi gure	DC			
			DC		12V		24V			
3/8"	15	4.2	0.5-16		Z	12	12	67x48x108	0.8	SC76ZD12N310315
1/2"	15	4.5	0.5-16		Z	12	12	67x48x108	0.7	SC76ZD12N310415
3/4"	20	7.5	0.5-16		Z	12	12	75x58x113	0.9	SC76ZD12N310520
1"	25	12	0.5-16		Z	12	12	96x70x126	0.9	SC76ZD12N310625
1 1/4"	35	22	0.5-16		Z	12	12	131x96x145	2.8	SC76ZD12N310735
1 1/2"	40	30	0.5-16		Z	12	12	131x96x145	2.7	SC76ZD12N310840
2"	50	45	0.5-16		Z	12	12	165x120x157	4.0	SC76ZD12N310950