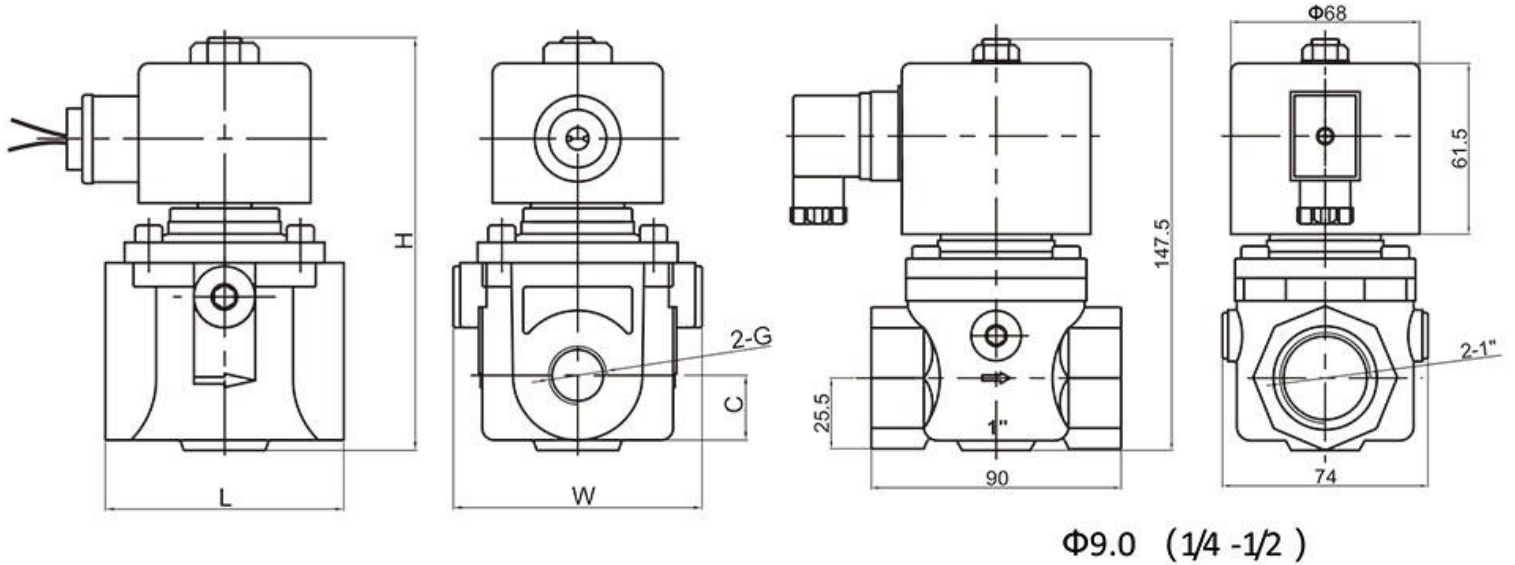


1			2	3	4	5	6	7	8
SC71			Coil Types	Voltage	Seal Material	Body Material	Pipe Size	Orifice	Options
S	C	71	A	A20	N	35	01	09	<input type="checkbox"/>
S= Special valve	C= Normally Closed	71=Gas Solenoid valve	D= Plastic molding coil A=Metallic Housing M= low power	A10=AC110V A20=AC220V D12=DC12V D24=DC24V	N=NBR V=VITON	35= Aluminum	01=1/8" 02=1/4" 03=3/8" 04=1/2" 05=3/4" 06=1" 07=1 1/4" 08=1 1/2" 09=2"	09=9.0 20=20 25=25 45=45	L=Neon Lamp N=NPT Thread



MODEL	L	W	H	C	G
SC71-15	70	73	120	19	1/2"
SC71-20	70	73	120	19	3/4"
SC71-25	90	75	127	26	1"
SC71-35	137	122	210	40	1 1/4"
SC71-40	137	122	210	40	1 1/2"
SC71-50	137	122	210	40	2"

Sc71 Ttype gas solenoid valve used in the Burner, Hear Equipment, Industrial Furnace and so on of the gas or air media. So as to achieve the procedure control or

Main Technical Parameters

1. direct acting zero differential pressure, large flow rate
2. 2-way normally closed solenoid valve, dosed when de-energized, open when energized.
3. .open and cloesd time: <1 second
4. material: main valve body material: die-casting aluminium, others: stainless steel/ brass
5. seal material: nbrviton
6. media: coal gas, nature gas, air and the other normal non-etchant gas
7. media temp.: <65°C ambiet temp.: 0~50°C
8. voltage: dc12v cJc24vac220v/50hz
- class: h ed100% voltage tolerance: -10%~+10%
9. it can used explosion-proof coil, ex class: exm i/ii t4
10. install: flow as the arrow, solenoid vertical and upright direction
11. Parts of coil can fix sm coil. 220VAC/110VAC/AC24C/DC24V



Valve Selection Lis

Pipe Size G	Orifice mm	CV rate	Pressure (bar)		Coil Type	Power		Externsions Dimensions L x W x H	Weight KG	Model Code 220VAC 50/60HZ
			Air Gas			AC 220V	DC 24V			
			AC	DC						
1/4"	9	1.2	0-600	0-600	D	22	13	51x35x90	0.3	SC71DA20V350209
3/8"	9	1.2	0-600	0-600	D	22	13	51x35x90	0.3	SC71DA20V350309
1/2"	9	0.23	0-600	0-600	D	22	13	51x35x90	0.3	SC71DA20V350409
	20	7.5	0-360	0-360	A	33	20	70x73x120	0.7	SC71AA20V350420
3/4"	20	7.5	0-360	0-360	A	33	20	70x73x120	0.7	SC71AA20V350520
1"	25	13	0-360	0-360	A	42	42	80x75x120	1.5	SC71AA20V350625
1 1/4"	35	21	0-500	0-500	A	31	31	137x122x210	3.0	SC71AA20V350745
1 1/2"	40	21	0-500	0-500	A	31	31	137x122x210	3.0	SC71AA20V350845
2"	45	21	0-500	0-500	A	31	31	137x122x210	3.0	SC71AA20V350945