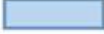
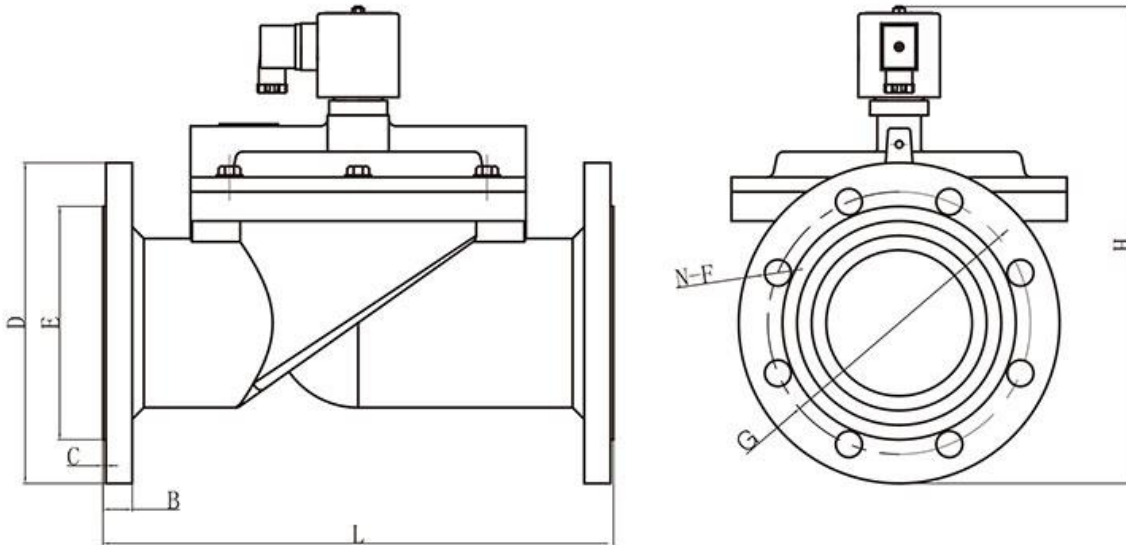


1			2	3	4	5	6	7	8
CO48			Coil Types	Voltage	Seal Material	Body Material	Pipe Size	Orifice	Options
C	O	48	A	A20	N	34	10	50	
C: Direct Acting	O: Normally open	48: Series	A=Metallic Housing S= Underwater Type	A24=AC24V A36=AC36V A48=AC48V A10=AC110V A20=AC220V D12=DC12V D24=DC24V D36=DC36V	N=NBR E=EPDM V=VITON	34= cast iron	10= Flange connection	40=40.0 50=50.0 65=65.0 80=80.0 100=100.0 125=125.0 150=150.0	L=Neon Lamp



MODEL	L	B	C	ØD	ØE	N-ØF	ØG	H
DN40	155	15	2	150	88	4-18	110	210
DN50	200	16	2	160	88	4-18	125	225
DN65	250	20	3	185	118	4-18	145	272
DN80	270	18	2	200	132	4-18	160	302
DN100	350	20	2	220	160	8-18	180	327
DN125	400	25	3	250	184	8-18	210	400
DN150	450	24	3	285	212	8-22	240	460

Product Characteristics

1. Max operation pressure: 4bar
2. Operating pressure differential: 0.3-4bar
3. Ambient temperature: -10°C-50°C
4. Fluid media temperature: 0°C-75°C
5. Voltage: AC:380V;220V;36V/50Hz DC: 12V;24;110V;220V
6. Insulation class: B class
7. Coil temperature rising: -15% -10%
8. Coil temperature rising: +10% to -10% applicable voltage
9. fluid media: liquids, air, light oil <20CST
10. Mounting position: flow as arrow, solenoid vertical and upright direction.



Valve Selection Lis

Pipe Size G	Orifice mm	CV rate	Pressure (bar)				Coil Type	Power		Externsions Dimensions L x W x H	Weight KG	Model Code 220VAC 50/60HZ	
			Air Gas		liquid			To configure	AC				DC
			AC	DC	AC	DC			220V				24V
Flange connection	40	29	0.5-4	0.5-4	0.5-4	0.5-4	A	15	25	155x 150x 205	7	CO48AA20N341040	
	50	48	0.5-4	0.5-4	0.5-4	0.5-4	A	15	25	200x 160x 220	11	CO48AA20N341050	
	65	65	0.5-4	0.5-4	0.5-4	0.5-4	A	15	25	250x 185x 267	17	CO48AA20N341065	
	80	104	0.5-4	0.5-4	0.5-4	0.5-4	A	15	25	270x 200x 297	19	CO48AA20N341080	
	100	174	0.5-4	0.5-4	0.5-4	0.5-4	A	25	25	350x 220x 322	27	CO48AA20N3410100	
	125	221	0.5-4	0.5-4	0.5-4	0.5-4	A	30	30	400x 250x 400	53	CO48AA20N3410125	
	150	321	0.5-4	0.5-4	0.5-4	0.5-4	A	30	30	450x 285x 460	82	CO48AA20N3410150	