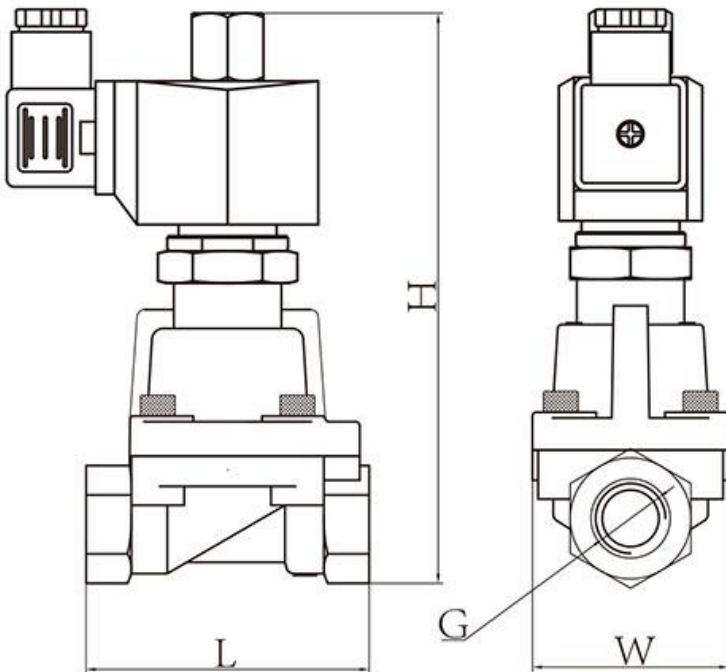


1			2	3	4	5	6	7	8
CO45			Coil Types	Voltage	Seal Material	Body Material	Pipe Size	Orifice	Options
C	O	45	D	A20	T	31	03	15	
C: Direct Acting	O: Normally open	45: Series	D= Plastic molding coil N= Lead plastic forming coil A=Metallic Housing W=Metallic Housing Lead wires	A24=AC24V A36=AC36V A48=AC48V A10=AC110V A20=AC220V D12=DC12V D24=DC24V D36=DC36V	T=TEFLON N=NBR V=VITON	31=Forged brass 32=SS304 33=SS316	03=3/8" 04=1/2" 05=3/4" 06=1" 07=1 1/4" 08=1 1/2" 09=2" 10= Flange connection	15=15.0 20=20.0 25=25.0 35=35.0 40=40.0 50=50.0	L=Neon Lamp



MODEL	L	W	H	G
C045-15	75	52	147	3/8
	75	52	147	1/2
C045-20	85	60	159	3/4
C045-25	100	70	166	1
C045-35	120	90	186	1 1/4
C045-40	120	90	186	1 1/2
C045-50	150	110	205	2

Product Characteristics

- 1: 2-Way normally closed solenoid valve; Closed when de-energized, open when energized.
- 2: Body material: brass
- 3: Max. Allowable pressure 40kgf/cm²;
Ambient Temp. 0°C-65°C (F CLASS), 0°O8(TC (H CLASS))
- 4: Serialized products, small in size, large flow rate, widely use.
- 5: Flow as the arrow, mounts in any position;
Best position is Solenoid vertical and upright direction.
- 6; Voltage: 220VAC/230VAC/240VAC/110VAC/24VAC 50/60HZ
24VDC/12VDC;
Voltage Tolerance: +10% to -10%applicable voltage.
- 7; Coil can fix Germany NASS Coil, Standard storage:
220VAC/230VAC/240VAC 50/60HZ 24V
- 8: This series valves are offered Teflon for Seals to provide on-off control of various fluids.

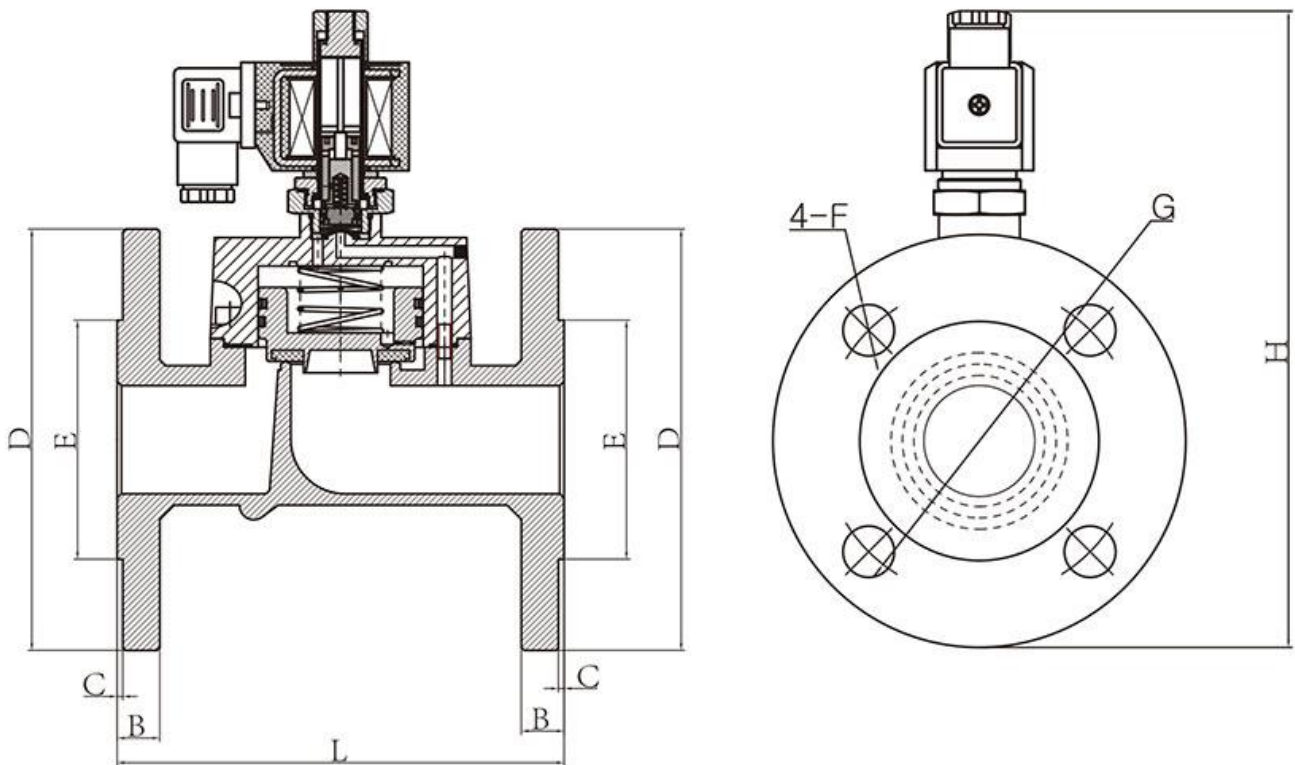


Valve Selection Lis

Pipe Size G	Orifice mm	CV rate	Pressure (bar)				Coil Type To confi gure	Power		Externsions Dimensions L x W x H	Weight KG	Model Code 220VAC 50/60HZ
			Air Gas		liquid			AC 220V	DC 24V			
			AC	DC	AC	DC						
3/8"	15	4.5	0.5-10	0.5-10	0.5-10	0.5-10	D	33	20	75x 52x 147	1.45	CO45DA20V310315
	15	4.5	0.5-10	0.5-10	0.5-10	0.5-10	W	33	32	75x 52x 147	1.45	CO45WA20T310315
1/2"	15	4.5	0.5-10	0.5-10	0.5-10	0.5-10	D	33	20	75x 52x 147	1.4	CO45DA20V310415
	15	4.5	0.5-10	0.5-10	0.5-10	0.5-10	W	33	32	75x 52x 147	1.4	CO45WA20T310415
3/4"	20	9.0	0.5-10	0.5-10	0.5-10	0.5-10	D	33	20	85x 60x 159	1.7	CO45DA20V310520
	20	9.0	0.5-10	0.5-10	0.5-10	0.5-10	W	33	32	85x 60x 159	1.7	CO45WA20T310520
1"	25	13	0.5-10	0.5-10	0.5-10	0.5-10	D	33	20	100x 70x 166	2.1	CO45DA20V310625
	25	13	0.5-10	0.5-10	0.5-10	0.5-10	W	33	32	100x 70x 166	2.1	CO45WA20T310625
1 1/4"	35	26	0.5-6	0.5-6	0.5-6	0.5-6	D	33	20	120x 90x 186	3.8	CO45DA20V310735
	35	26	0.5-6	0.5-6	0.5-6	0.5-6	W	33	32	120x 90x 186	3.8	CO45WA20T310735
1 1/2"	40	26	0.5-6	0.5-6	0.5-6	0.5-6	D	33	20	120x 90x 186	3.7	CO45DA20V310840
	40	26	0.5-6	0.5-6	0.5-6	0.5-6	W	33	32	120x 90x 186	3.7	CO45WA20T310840
2"	50	48	0.5-6	0.5-6	0.5-6	0.5-6	D	33	20	150x 110x 205	4.7	CO45DA20V310950
	50	48	0.5-6	0.5-6	0.5-6	0.5-6	W	33	32	150x 110x 205	4.7	CO45WA20T310950

Pipe Size G	Orifice mm	CV rate	Pressure (bar)				Coil Type	Power		Externsions Dimensions L x W x H	Weight KG	Model Code 220VAC 50/60HZ
			Air Gas		liquid			To configure	AC 220V			
			AC	DC	AC	DC						
Flange connection	25	13	0.5-10	0.5-10	0.5-10	0.5-10	D	33	20	134x 110x 201	3.6	CO45DA20V321025
	25	13	0.5-10	0.5-10	0.5-10	0.5-10	W	33	32	134x 110x 201	3.6	CO45WA20T321025
	35	26	0.5-6	0.5-6	0.5-6	0.5-6	D	33	20	160x 135x 216	6.2	CO45DA20V321035
	35	26	0.5-6	0.5-6	0.5-6	0.5-6	W	33	32	160x 135x 216	6.2	CO45WA20T321035
	40	26	0.5-6	0.5-6	0.5-6	0.5-6	D	33	20	160x 145x 221	6.7	CO45DA20V321040
	40	26	0.5-6	0.5-6	0.5-6	0.5-6	W	33	32	160x 145x 221	6.7	CO45WA20T321040
	50	48	0.5-6	0.5-6	0.5-6	0.5-6	D	33	20	200x 155x 266	7.5	CO45DA20V321050
	50	48	0.5-6	0.5-6	0.5-6	0.5-6	W	33	32	200x 155x 266	7.5	CO45WA20T321050

external dimension



MODEL	L	B	C	ØD	ØE	ØF	ØG	H
DN25	134	13	2	110	58	14	85	201
DN35	160	15	2	135	76	18	100	216
DN40	160	15	2	145	84	18	125	221
DN50	200	16	2	155	88	18	125	226