
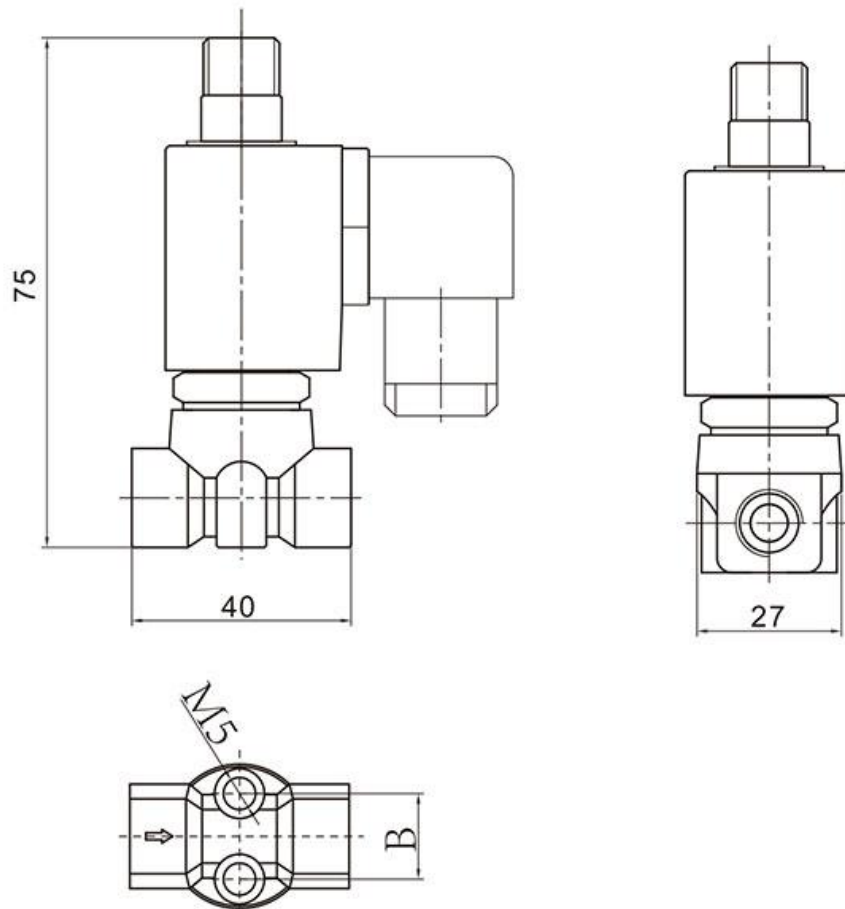


1		2	3	4	5	6	7	8
D61		Coil Types	Voltage	Seal Material	Body Material	Pipe Size	Orifice	Options
D	611	D	A20	N	31	01	03	
D= 3/2-Way Direct Acting	611= Normally Closed 612= Normally Open 613= Diverting 614= Universal 615= Free Exhaust	D= Plastic molding coil N= Lead plastic forming coil	A24=AC24V A36=AC36V A48=AC48V A10=AC110V A20=AC220V D12=DC12V D24=DC24V D36=DC36V	N=NBR V=VITON E=EPDM	31= Forged brass 33=SS316	01=1/8" 02=1/4"	02=2.0 03=3.0 R2=1.5 R3=2.5	L=Neon Lamp N=NPT Thread



Product Characteristics

3/2-Way Direct Acting Universal

Can be used for automatic control of neutral gases and liquids

Small volume, large flow and simple structure

Control mode: direct drive

Maximum withstand pressure : 20bar

Maximum working pressure : 0~15bar

Standard voltage : AC : 220V/50HZ 240/60HZ , AC110V

DC : 24V, 12V

Medium temperature : (-10~+130 °C)

Sealing element :NBR(N)、EPDM(E)、VITON(V)



Valve Selection Lis

Pipe Size G	Orifice mm		Pressure (bar)				Coil Type To confi gure	Power		Externsions Dimensions L x W x H	Weight KG	Model Code 220VAC 50/60HZ
			Air Gas		liquid			AC 220V	DC 24V			
	Body	TOP	AC	DC	AC	DC						
1/8 "	1.5	1.2	0-10	0-6	0-10	0-6	D	22	13	40x27x75	0.35	D615DA20N3101R2
	2.0		0-7	0-5	0-7	0-5	D	22	13	40x27x75	0.35	D615DA20N310102
	2.5		0-5	0-4	0-5	0-4	D	22	13	40x27x75	0.35	D615DA20N3101R3
	3.0		0-4	0-3	0-4	0-3	D	22	13	40x27x75	0.35	D615DA20N310103
1/4 "	1.5		0-10	0-5	0-10	0-5	D	22	13	40x27x75	0.35	D615DA20N3102R2
	2.0		0-7	0-5	0-7	0-5	D	22	13	40x27x75	0.35	D615DA20N310202
	2.5		0-5	0-4	0-5	0-4	D	22	13	40x27x75	0.35	D615DA20N3102R3
	3.0		0-4	0-3	0-4	0-3	D	22	13	40x27x75	0.35	D615DA20N310203

trend chart

