
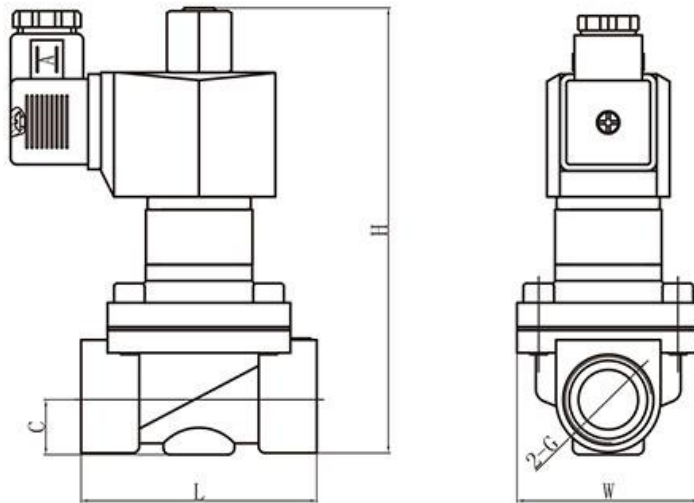


1			2	3	4	5	6	7	8
CO43			Coil Types	Voltage	Seal Material	Body Material	Pipe Size	Orifice	Options
C	O	43	D	A20	N	31	03	15	
C: Direct Acting	O : Normally open	43: Series	D= Plastic molding coil A=Metallic Housing	A10=AC110V A20=AC220V D12=DC12V D24=DC24V	N=NBR V=VITON E=EPDM	31=Forged Brass 33=SS316	02=1/4" 03=3/8" 04=1/2" 05=3/4" 06=1" 07=1 1/4" 08=1 1/2" 09=2" 10= Flange connection	15=15.0 20=20.0 25=25.0 35=35.0 40=40.0 50=50.0	L=Neon Lamp N=NPT

external dimension



model	G	L	W	C	H
C043-15	3/8	66	48	14.5	124
	1/2	66	48	14.5	124
C043-20	3/4	73	57	17	138
C043-25	1	99	77	21	146
C043-35	1 1/4	112	86.5	24	192
C043-40	1 1/2	123	94	29	203
C043-50	2	165	120	35	226

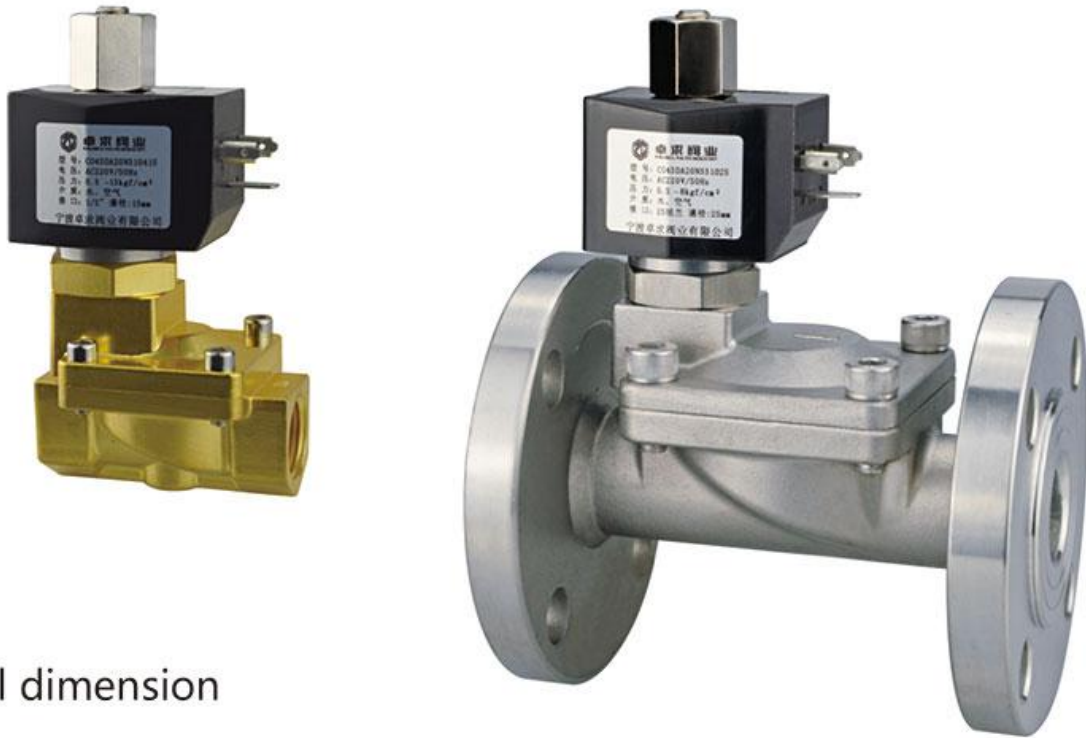
Product Characteristics

1. 2-Way normally open solenoid valve; Open when de-energized, closed when energized.
2. Body material: 316 stainless steel
3. Max. Allowable pressure 12kgf/cm²; Ambient Temp. 0°O65°C
4. Serialized products, small in size, large flow rate, widely use.
5. Flow as the arrow, mounts in any position; Best position is Solenoid vertical and upright direction.
6. Voltage: 220VAC/230VAC/240VAC/110VAC/24VAC 50/60HZ 24VDC/12VDC;
Voltage Tolerance: +10% to -10% applicable voltage.
7. This series valves are offered NBR、VITON、EPDM etc for Seals and diaphragm to provide on-off control of various fluids.

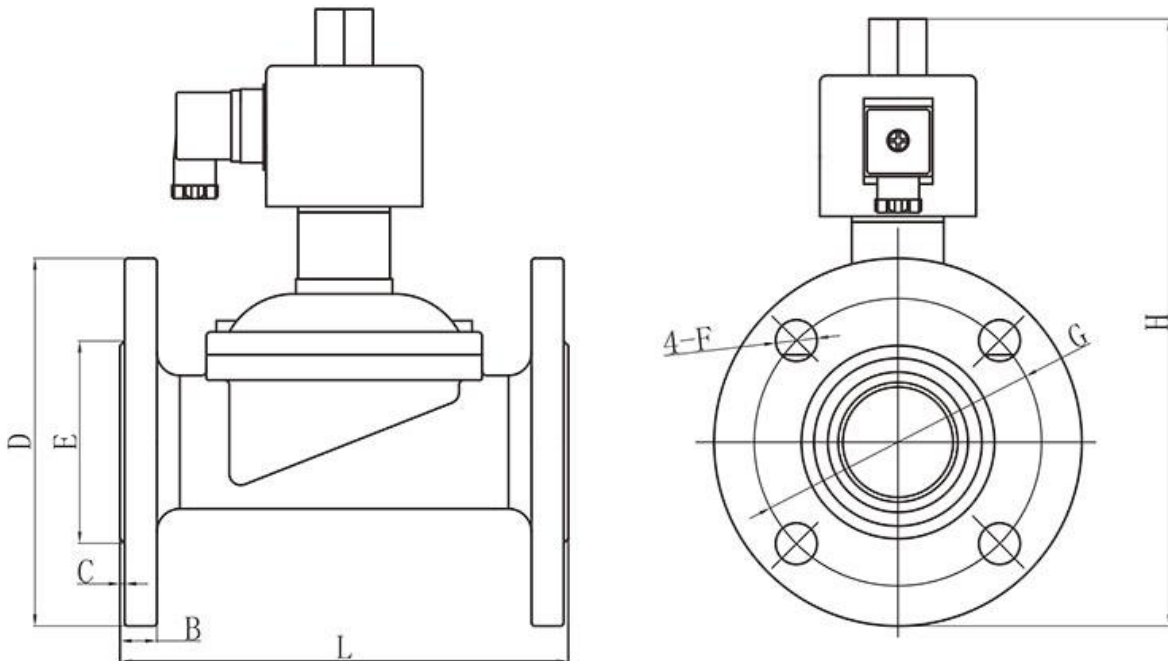


Valve Selection List

Pipe Size G	Orifice mm	CV rate	Pressure (bar)				Coil Type	Power		Externsions Dimensions L x W x H	Weight KG	Model Code 220VAC 50/60HZ	
			Air Gas		liquid			To confi gure	AC 220V				DC 24V
			AC	DC	AC	DC							
38"	15	4.5	0.5-13	0.5-13	0.5-13	0.5-13	D	20	20	66×48×124	0.9	CO43DA20N310315	
	15	4.5	0.5-13	0.5-13	0.5-13	0.5-13	D	20	20	66×48×124	0.95	CO43DA20N330315	
1/2"	15	4.5	0.5-13	0.5-13	0.5-13	0.5-13	D	20	20	66×48×124	0.9	CO43DA20N310415	
	15	4.5	0.5-13	0.5-13	0.5-13	0.5-13	D	20	20	66×48×124	0.9	CO43DA20N330415	
3/4"	20	7.6	0.5-13	0.5-13	0.5-13	0.5-13	D	20	20	75×58×130	1.1	CO43DA20N310520	
	20	7.6	0.5-13	0.5-13	0.5-13	0.5-13	D	20	20	75×58×130	1.1	CO43DA20N330520	
1"	25	12	0.5-13	0.5-13	0.5-13	0.5-13	D	20	20	96×70×143	1.6	CO43DA20N310625	
	25	12	0.5-13	0.5-13	0.5-13	0.5-13	D	20	20	96×70×143	1.5	CO43DA20N330625	
1 1/4"	35	22	0.5-8	0.5-8	0.5-8	0.5-8	D	20	20	131×96×162	3	CO43DA20N310735	
	35	22	0.5-8	0.5-8	0.5-8	0.5-8	D	20	20	131×96×162	2.8	CO43DA20N330735	
1 1/2"	40	30	0.5-8	0.5-8	0.5-8	0.5-8	D	20	20	131×96×162	2.8	CO43DA20N310840	
	40	30	0.5-8	0.5-8	0.5-8	0.5-8	D	20	20	131×96×162	2.7	CO43DA20N330840	
2"	50	48	0.5-8	0.5-8	0.5-8	0.5-8	D	20	20	165×120×174	4.2	CO43DA20N310950	
	50	48	0.5-8	0.5-8	0.5-8	0.5-8	D	20	20	165×120×174	4.6	CO43DA20N330950	
Flange connection	25	12	0.5-8	0.5-8	0.5-8	0.5-8	D	20	20	134×110×172	2.9	CO43DA20N331025	
	35	22	0.5-8	0.5-8	0.5-8	0.5-8	D	20	20	160×135×187	5.2	CO43DA20N331035	
	40	30	0.5-8	0.5-8	0.5-8	0.5-8	D	20	20	160×145×192	5.5	CO43DA20N331040	
	50	48	0.5-8	0.5-8	0.5-8	0.5-8	D	20	20	200×160×219	8.1	CO43DA20N331050	



external dimension



MODEL	L	B	C	ØD	ØE	ØF	ØG	H
DN25	134	13	2	110	58	14	85	172
DN35	160	15	2	135	74	18	100	187
DN40	160	15	2	145	84	18	110	192
DN50	200	16	2	160	88	18	125	219