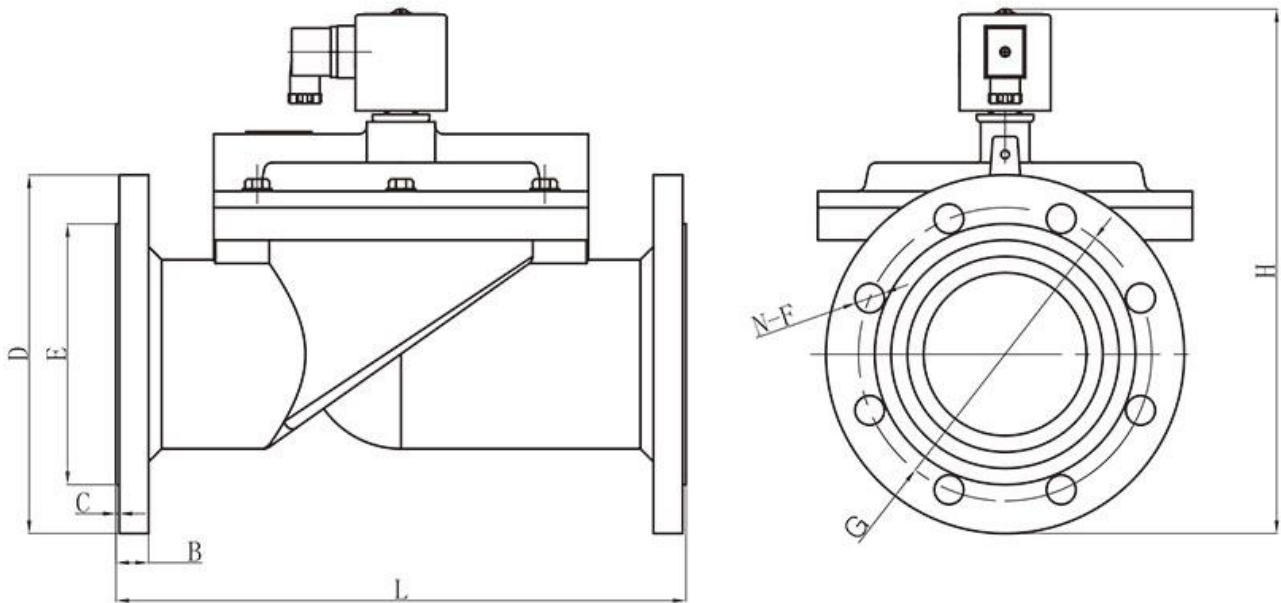




1			2	3	4	5	6	7	8
CC48			Coil Types	Voltage	Seal Material	Body Material	Pipe Size	Orifice	Options
C	C	48	A	A20	N	34	10	50	<input type="checkbox"/>
C: Direct Acting	C: Normally Closed	48: Series	A=Metallic Housing S= Underwater Type	A20=AC220V D24=DC24V	N=NBR E=EPDM V=VION	34= cast iron	10= Flange connection	40=40.0 50=50.0 65=65.0 80=80.0 100=100.0 125=125.0 150=150.0	L=Neon Lamp

external dimension



MODEL	L	B	C	ØD	ØE	N-ØF	ØG	H
DN65	250	20	3	185	118	4-18	145	260
DN80	270	18	2	200	130	4-18	160	275
DN100	350	20	2	220	160	8-18	180	310
DN125	400	25	3	250	184	8-18	210	380
DN150	450	24	3	285	212	8-22	240	405

Product Characteristics

1. Max operation pressure: 4bar
2. Operating pressure differential: 0.3-4bar
3. Ambient temperature: -10°C-50°C
4. Fluid media temperature: 0°C-75°C
5. Voltage: AC:380V;220V;36V/50Hz DC: 12V;24; 110V;220V
6. Insulation class: B class
7. Coil temperature rising: -15% -10%
8. Coil temperature rising: +10% to -10% applicable voltage
9. fluid media: liquids, air, light oil <20CST
10. Mounting position: flow as arrow, solenoid vertical and upright direction.



Valve Selection List

Pipe Size G	Orifice mm	CV rate	Pressure (bar)				Coil Type	Power		Extensions Dimensions L x W x H	Weight KG	Model Code 220VAC 50/60HZ
			Air Gas		liquid			To confi gure	AC			
			AC	DC	AC	DC	220V		24V			
Flange connec- tion	40	29	0.5-8	0.5-8	0.5-8	0.5-8	A	15	25	155×150×205	6.3	CC48AA20N341040
	50	48	0.5-8	0.5-8	0.5-8	0.5-8	A	15	25	200×160×220	9.7	CC48AA20N341050
	65	65	0.5-8	0.5-8	0.5-8	0.5-8	A	15	25	250×185×267	16	CC48AA20N341065
	80	104	0.5-8	0.5-8	0.5-8	0.5-8	A	15	25	270×200×297	18	CC48AA20N341080
	100	174	0.5-8	0.5-8	0.5-8	0.5-8	A	15	25	350×220×322	27	CC48AA20N3410100
	125	221	0.5-8	0.5-8	0.5-8	0.5-8	A	30	30	400×250×389	52	CC48AA20N3410125
	150	321	0.5-8	0.5-8	0.5-8	0.5-8	A	30	30	450×285×442	81	CC48AA20N3410150