
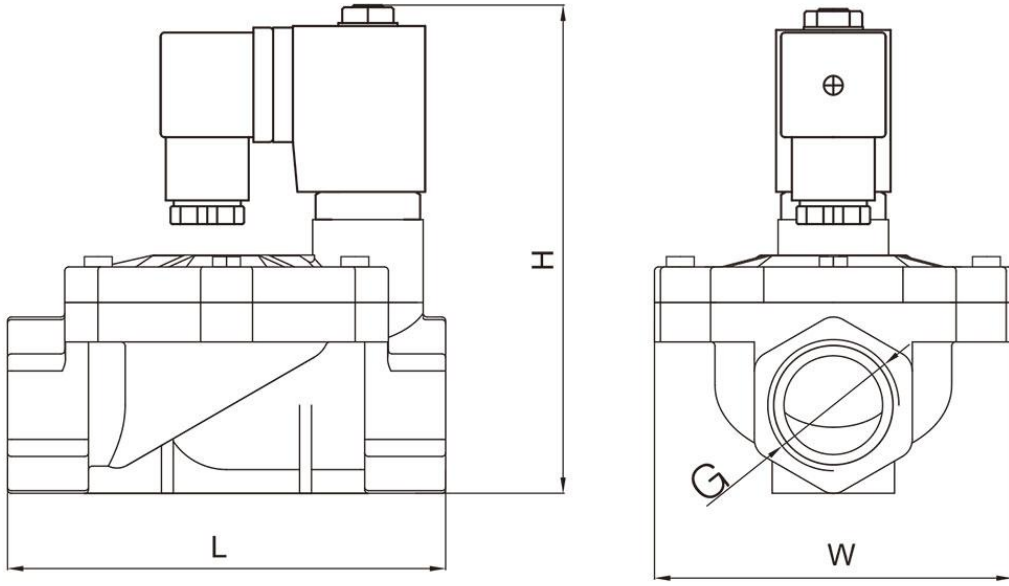


1			2	3	4	5	6	7	8
CC44			Coil Types	Voltage	Seal Material	Body Material	Pipe Size	Orifice	Options
C	C	44	D	A20	N	37	03	15	
C: Direct Acting	C : Normally Closed	44: Series	D= Plastic molding coil N=Lead plastic forming coil S= Underwater Type E=EX	A24=AC24V A36=AC36V A48=AC48V A10=AC110V A20=AC220V D12=DC12V D24=DC24V D36=DC36V	N=NBR V=VITON E=EPDM	37=Plastic	03=3/8" 04=1/2" 05=3/4" 06=1" 07=1 1/4" 08=1 1/2"	15=15.0 20=20.0 25=25.0 35=35.0 40=40.0	L=Neon Lamp J=External cooling module D=Timer N=NPT Other threads can be customized



DOMEL	L	W	H	G
CC44-15	76	52	129	3/8
	76	52	129	1/2
CC44-20	90	71	133	3/4
CC44-25	111	91	141	1
CC44-35	158	115	158	1 1/4
CC44-40	158	115	158	1 1/2

Product Characteristics

- 1: 2-Way normally closed solenoid valve, Closed when de-energized, open when energized.
- 2: Body material: (PA6)
- 3: Max. Allowable pressure 13kgf/cm²; Ambient Temp. 0°C~65°C
- 4: Serialized products, small in size, large flow rate, widely use
- 5: Flow as the arrow, mounts in any position; Best position is Solenoid vertical and upright direction.
- 6: Voltage: 220VAC/230VAC/240VAC/110VAC/24VAC 50/60HZ
24VDC/12VDC;
- Voltage Tolerance: +10% to -10% applicable voltage
- 7: This series valves are offered NBR、VITON、EPDM etc for Seals and diaphragm to provide on-off control of various fluids.
- 8: Coil can fix SM Coil. AC 220V/AC110V/AC24V/DC24V



Valve Selection Lis

Pipe Size G	Orifice mm	CV rate	Pressure (bar)				Coil Type To confi gure	Power		Externsions Dimensions L x W x H	Weight KG	Model Code 220VAC 50/60HZ
			Air Gas		liquid			AC 220V	DC 24V			
			AC	DC	AC	DC						
3/8"	15	4.5	0.5-10	0.5-10	0.5-10	0.5-10	D	22	13	76×52×112	0.38	CC44DA20N370315
1/2"	15	4.5	0.5-10	0.5-10	0.5-10	0.5-10	D	22	13	76×52×112	0.37	CC44DA20N370415
3/4"	20	7.6	0.5-10	0.5-10	0.5-10	0.5-10	D	22	13	90×71×116	0.43	CC44DA20N370520
1 "	25	12	0.5-10	0.5-10	0.5-10	0.5-10	D	22	13	111×91×123	0.49	CC44DA20N370625
1 1/4"	35	22	0.5-10	0.5-10	0.5-10	0.5-10	D	22	13	158×115×141	0.85	CC44DA20N370735
1 1/2"	40	30	0.5-10	0.5-10	0.5-10	0.5-10	D	22	13	158×115×141	0.78	CC44DA20N370840