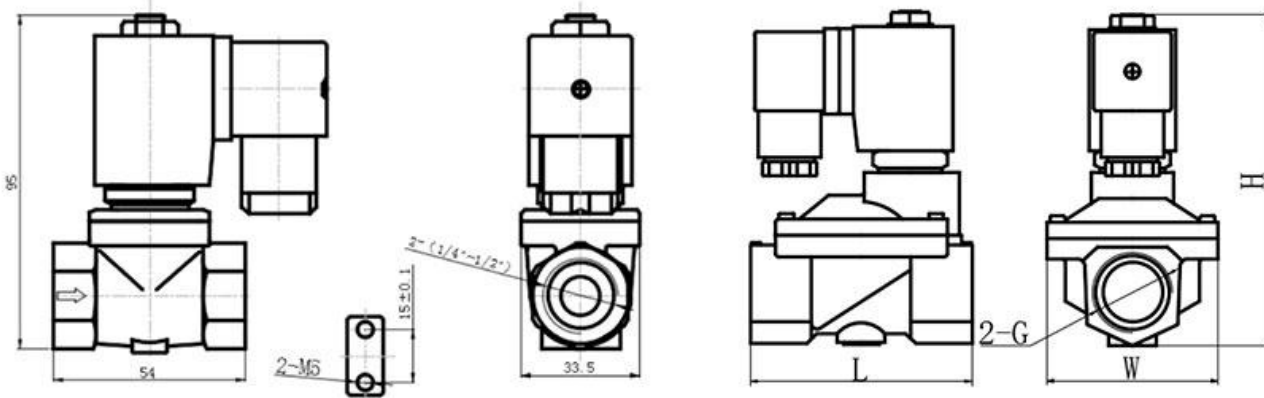


1		2	3	4	5	6	7	8	
CC43		Coil Types	Voltage	Seal Material	Body Material	Pipe Size	Orifice	Options	
C	C	43	D	A20	N	31	03	15	
C: Direct Acting	C : Normally Closed	43: Series	D= Plastic molding coil N=Lead plastic forming coil S= Underwater Type E=EX	A24=AC24V A36=AC36V A48=AC48V A10=AC110V A20=AC220V D12=DC12V D24=DC24V D36=DC36V	N=NBR V=VITON E=EPDM	31=Forgde Brass 33=SS316	02=1/4" 03=3/8" 04=1/2" 05=3/4" 06=1" 07=1 1/4" 08=1 1/2" 09=2" 10= Flange connection	R9=10.5 15=15.0 20=20.0 25=25.0 35=35.0 40=40.0 50=50.0	L=Neon Lamp J=External cooling module D=Timer N=NPT Other threads can be customized

external dimension



G	L	W	H	型号	G	L	W	H	型号
3/8	67	48	108	CC43-15	1 1/4	131	96	145	CC43-35
1/2	67	48	108	CC43-15	1 1/2	131	96	145	CC43-40
3/4	75	58	113	CC43-20	2	165	120	157	CC43-50
1	96	70	126	CC43-25					

CC43-10.5

CC43-15~CC43-50

Product Characteristics

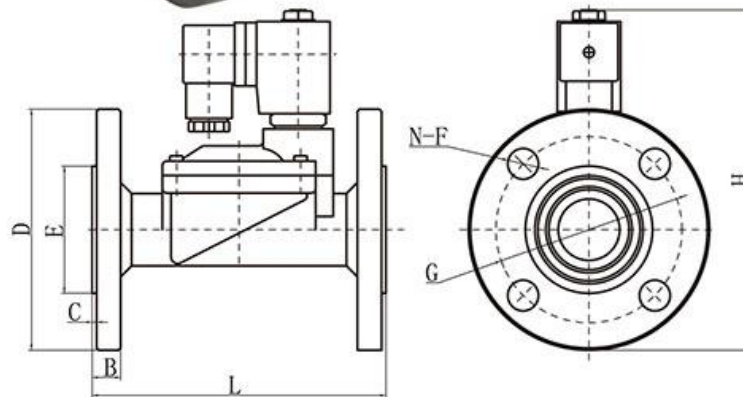
1. 2-Way normally closed solenoid valve, Closed when de-energized, open when energized.
2. Serialized products, small in size, large flow rate, widely use
3. Body material: forged brass\SS316.Orifice:10.5~100mm.
4. Ambient Temp. 0°0-65°0, Fluids Temp: 0°C-130°C, Max allowable pressure 20 bar.
5. Flow as the arrow, mounts in any position;
Best position is solenoid vertical and upright direction.
6. Voltage: 220VAC/230VAC/240VAC/110VAC/24VAC 50/60HZ 24VDC/12VDC;
Voltage Tolerance: +10% to -10% applicable voltage
7. This series valves are offered NBR、VITON、EPDM etc
For Seals and diaphragm to provide on-off control of various fluids.
8. Can fix explosion-proof coil
9. Coil can fix SM Coil. AC 220V/AC110V/AC24V/DC24V



Valve Selection Lis

Pipe Size G	Orifice mm	CV rate	Pressure (bar)				Coil Type To confi gure	Power		Externsions Dimensions L x W x H	Weight KG	Model Code 220VAC 50/60HZ
			Air Gas		liquid			AC	DC			
			AC	DC	AC	DC		220V	24V			
1/4"	10.5	1.47	0.1-16	0.1-10	0.1-16	0.1-10	D	22	13	54×33.5×95	0.51	CC43DA20N3102R9
	10.5	1.47	0.1-16	0.1-10	0.1-16	0.1-10	D	22	13	54×33.5×95	0.51	CC43DA20N3302R9
3/8"	10.5	1.68	0.1-16	0.1-10	0.1-16	0.1-10	D	22	13	54×33.5×95	0.49	CC43DA20N3103R9
	10.5	1.68	0.1-16	0.1-10	0.1-16	0.1-10	D	22	13	54×33.5×95	0.49	CC43DA20N3303R9
	15	4.5	0.5-16	0.5-16	0.5-16	0.5-16	D	22	13	66×48×107	0.8	CC43DA20N310315
	15	4.5	0.5-16	0.5-16	0.5-16	0.5-16	D	22	13	66×48×107	0.75	CC43DA20N330315
1/2"	10.5	1.75	0.5-16	0.1-10	0.5-16	0.1-10	D	22	13	54×33.5×95	0.46	CC43DA20N3104R9
	10.5	1.75	0.5-16	0.1-10	0.5-16	0.1-10	D	22	13	54×33.5×95	0.46	CC43DA20N3304R9
	15	4.5	0.5-16	0.5-16	0.5-16	0.5-16	D	22	13	66×48×107	0.7	CC43DA20N310415
	15	4.5	0.5-16	0.5-16	0.5-16	0.5-16	D	22	13	66×48×107	0.7	CC43DA20N330415
3/4"	20	7.6	0.5-16	0.5-16	0.5-16	0.5-16	D	22	13	75×58×112	0.9	CC43DA20N310520
	20	7.6	0.5-16	0.5-16	0.5-16	0.5-16	D	22	13	75×58×112	0.9	CC43DA20N330520
1"	25	12	0.5-16	0.5-16	0.5-16	0.5-16	D	22	13	96×70×131	1.4	CC43DA20N310625
	25	12	0.5-16	0.5-16	0.5-16	0.5-16	D	22	13	96×70×131	1.3	CC43DA20N330625
1 1/4"	35	22	0.5-16	0.5-16	0.5-16	0.5-16	D	22	13	131×96×146	2.8	CC43DA20N310735
	35	22	0.5-16	0.5-16	0.5-16	0.5-16	D	22	13	131×96×146	2.6	CC43DA20N330735

Pipe Size G	Orifice mm	CV rate	Pressure (bar)				Coil Type	Power		Extensions Dimensions L x W x H	Weight KG	Model Code 220VAC 50/60HZ	
			Air Gas		liquid			To configure	AC 220V				DC 24V
			AC	DC	AC	DC							
1 1/2"	40	30	0.5-16	0.5-16	0.5-16	0.5-16	D	22	13	131x96x146	2.7	CC43DA20N310840	
	40	22	0.5-16	0.5-16	0.5-16	0.5-16	D	22	13	131x96x146	2.5	CC43DA20N330840	
2"	50	48	0.5-16	0.5-16	0.5-16	0.5-16	D	22	13	165x120x167	4	CC43DA20N310950	
	50	48	0.5-16	0.5-16	0.5-16	0.5-16	D	22	13	165x120x167	4.4	CC43DA20N330950	
Flange connection	25	12	0.5-16	0.5-16	0.5-16	0.5-16	D	22	13	134x110x160	2.7	CC43DA20N331025	
	35	22	0.5-16	0.5-16	0.5-16	0.5-16	D	22	13	160x135x175	5	CC43DA20N331035	
	40	30	0.5-16	0.5-16	0.5-16	0.5-16	D	22	13	160x145x180	5.3	CC43DA20N331040	
	50	48	0.5-16	0.5-16	0.5-16	0.5-16	D	22	13	200x160x207	7.9	CC43DA20N331050	
	65	52	0.5-10	0.5-10	0.5-10	0.5-10	D	33	20	250x185x250	13.5	CC43DA20N321065	
	80	80	0.5-10	0.5-10	0.5-10	0.5-10	D	33	20	270x202x262	15.6	CC43DA20N321080	
100	128	0.5-10	0.5-10	0.5-10	0.5-10	D	33	20	342x222x287	22	CC43DA20N3210100		



MODEL	L	B	C	ØD	ØE	N-ØF	ØG	H
DN25	134	13	2	110	58	4-14	85	156
DN35	160	15	2	135	76	4-18	100	182
DN40	160	15	2	145	84	4-18	110	184
DN50	200	16	2	160	88	4-18	125	202