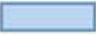
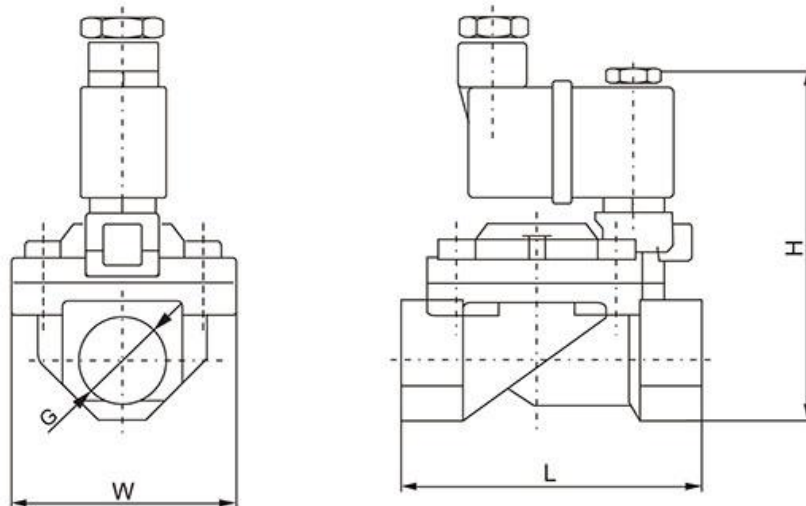


1			2	3	4	5	6	7	8
CC42			Coil Types	Voltage	Seal Material	Body Material	Pipe Size	Orifice	Options
C	C	42	D	A20	N	31	03	15	
C: Direct Acting	C: Normally Closed	42: Series	D=Din Standard Connections, Fully Encapsulated	A24=AC24V A36=AC36V A48=AC48V A10=AC110V A20=AC220V D12=DC12V D24=DC24V D36=DC36V	N=NBR V=VITON E=EPDM	31=Forged Brass 32=SS316	03=3/8" 04=1/2" 05=3/4" 06=1"	15=15.0 20=20.0 25=25.0	L=Neon Lamp J=External cooling module D=Timer N=NPT Other threads can be customized

external dimension



MODEL	G	L	W	H
CC42-15D	3/8	62	43	85
	1/2	62	43	85
CC42-20D	3/4	80	60	93
CC42-25D	1	100	80	102

Serialized products, small in size, Large flow rate, widely use

Body material: Brass

Plunger tube material: brass stainless steel

Voltage: AC220V/6VA DC24V/6W (other voltage can special made)

Flow as the arrow, mounts in any position

Best position is solenoid vertical and upright direction

This series valve are offered NBR EPDM VITON for series and

diaphragm to provide on-off control of various fluids.



Valve Selection Lis

Pipe Size G	Orifice mm	CV rate	Pressure (bar)				Coil Type	Power		Externsions Dimensions L x W x H	Weight KG	Model Code 220VAC 50/60HZ	
			Air Gas		liquid			To confi gure	AC				DC
			AC	DC	AC	DC			220V				24V
3/8"	15	2.4	0.5-16	0.5-12	0.5-16	0.5-12	D	6	6	62x43x85	0.44	CC42DA20N310315	
1/2"	15	2.4	0.5-16	0.5-12	0.5-16	0.5-12	D	6	6	62x43x85	0.42	CC42DA20N310415	
3/4"	20	6.0	0.5-16	0.5-12	0.5-16	0.5-12	D	6	6	80x60x93	0.8	CC42DA20N310520	
1"	25	8.5	0.5-16	0.5-12	0.5-16	0.5-12	D	6	6	100x80x102	1.0	CC42DA20N310625	

