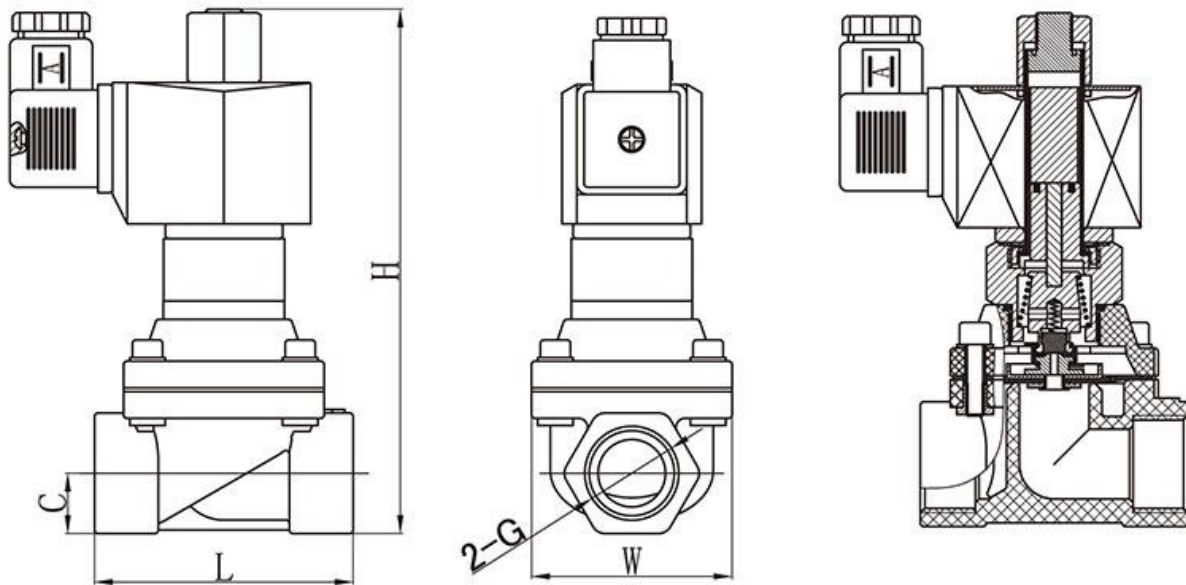


1			2	3	4	5	6	7	8
Bo32			Coil Types	Voltage	Seal Material	Body Material	Pipe Size	Orifice	Options
B	O	32	D	A20	N	37	04	15	
B: Direct Acting	O: Normally Closed	32: Series	D= Plastic molding coil N=Lead plastic forming coil	A24=AC24V A36=AC36V A48=AC48V A10=AC110V A20=AC220V D12=DC12V D24=DC24V D36=DC36V	N=NBR V=VITON E=EPDM	37=Plastics	04=1/2" 05=3/4" 06=1"	15=15.0 20=20.0 25=25.0	L=Neon Lamp J=External cooling module D=Timer N=NPT Other threads can be customized

external dimension



MODEL	G	L	W	C	H
B031-15	1/2	69	57	15.5	133
B031-20	3/4	73	57	17	140
B031-25	1	99	77	21	146

Product Characteristics

1. 2-Way normally open solenoid valve; Open when de-energized,
2. Body material: Nylon(PA6)
3. Max. pressure 10bar; Ambient Temp. 0° C-65BC
4. Serialized products, small in size, large flow rate
6. Voltage: 220VAC/230VAC/240VAC/110VAC/24V AC 50/60HZ 24VDC/12VDC;
- Voltage Tolerance: +10% to -10% applicable voltage.
7. This series valves are offered NBR、VITON、EPDM etc for Seals and diaphragm to provide on-off control of various fluids.



Valve Selection Lis

Pipe Size G	Orifice mm	CV rate	Pressure (bar)				Coil Type To confi gure	Power		Externsions Dimensions L x W x H	Weight KG	Model Code 220VAC 50/60HZ
			Air Gas		liquid			AC 220V	DC 24V			
			AC	DC	AC	DC						
1/2"	15	4.8	0-5	0-5	0-5	0-5	D	33	20	69x57x133	0.6	BO32DA20N370415
3/4"	20	7.6	0-5	0-5	0-5	0-5	D	33	20	73x57x140	0.6	BO32DA20N370520
1"	25	12	0-5	0-5	0-5	0-5	D	33	20	99x77x146	0.7	BO32DA20N370625