
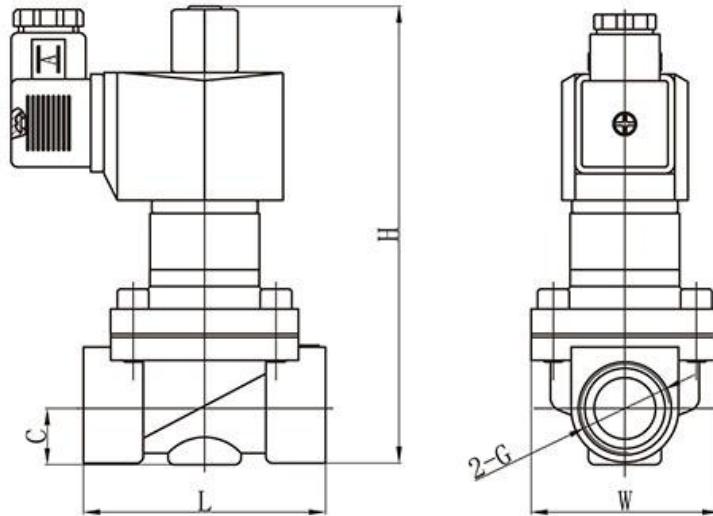


1			2	3	4	5	6	7	8
BO31			Coil Types	Voltage	Seal Material	Body Material	Pipe Size	Orifice	Options
B	O	31	D	A20	N	31	03	15	
B: Direct Acting	C: Normally Closed	31: Series	D= Plastic molding coi N=Lead plastic forming coil W=Metallic Housing Lead wires	A24=AC24V A36=AC36V A48=AC48V A10=AC110V A20=AC220V D12=DC12V D24=DC24V D36=DC36V	N=NBR V=VITON E=EPDM	31=Forged Brass 32=304 33=316	02=1/4" 03=3/8" 04=1/2" 05=3/4" 06=1" 07=1 1/4" 08=1 1/2" 09=2" 10= Flange connection	10=10.0 13=13.0 15=15.0 20=20.0 25=25.0 35=35.0 40=40.0 50=50.0 65=65.0 80=80.0 100=100.0	L=Neon Lamp J=External cooling module D=Timer N=NPT Other threads can be customized



G	L	W	C	H	MODEL
3/8	69	57	14.5	130	B03-15
1/2	69	57	14.5	130	
3/4	73	57	17	138	B03-20
1	99	77	21	146	B03-25
1 1/4	112	86.5	24	192	B03-35
1 1/2	123	94	29	203	B03-40
2	165	120	35	226	B03-50

Product Characteristics

- 1: 2-Way normally closed solenoid valve, Closed when de-energized, open when energized.
- 2: Body material: Brass\SS304
- 3; Max. Allowable pressure 10bar; Ambient Temp. 0°C~65° C
- 4: Serialized products, small in size, large flow rate, widely use
- 5; Flow as the arrow, mounts in any position; Best position is Solenoid vertical and upright direction.
- 6: Voltage: 220VAC/230VAC/240VAC/110V AC/24VAC 50/60HZ 24VDC/12VDC; Voltage Tolerance: +10% to -10% applicable voltage
- 7: This series valves are offered NBR、 VITON、 EPDM etc for Seals and diaphragm to provide on-off control of various fluids.

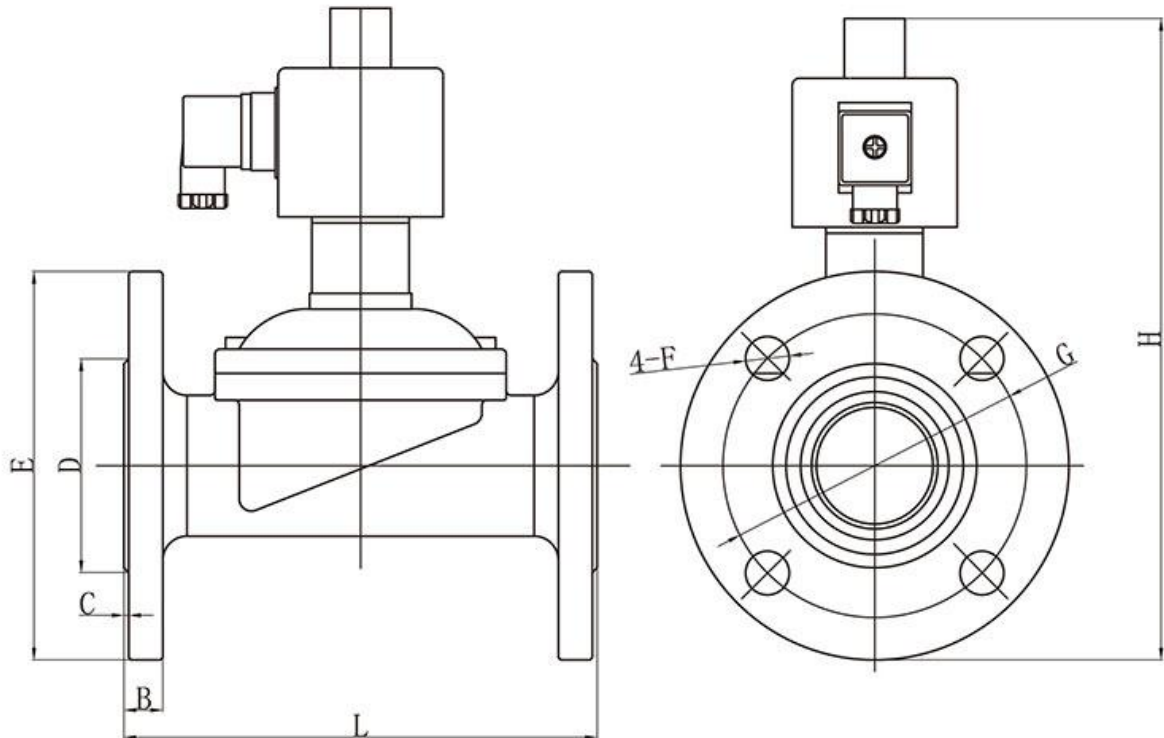


Valve Selection Lis

Pipe Size G	Orifice mm	CV rate	Pressure (bar)				Coil Type To configure	Power		Externsions Dimensions L x W x H	Weight KG	Model Code 220VAC 50/60HZ
			Air Gas		liquid			AC 220V	DC 24V			
			AC	DC	AC	DC						
3/8"	15	4.8	0-5	0-5	0-5	0-5	D	33	20	69x 57x 130	1.2	BO31DA20N310315
	15	4.8	0-5	0-5	0-5	0-5	D	33	20	69x 57x 130	1.1	BO31DA20N320315
1/2"	15	4.8	0-5	0-5	0-5	0-5	D	33	20	69x 57x 130	1.15	BO31DA20N310415
	15	4.8	0-5	0-5	0-5	0-5	D	33	20	69x 57x 130	1.05	BO31DA20N320415
3/4"	20	7.6	0-5	0-5	0-5	0-5	D	33	20	73x 57x 138	1.25	BO31DA20N310520
	20	7.6	0-5	0-5	0-5	0-5	D	33	20	73x 57x 138	1.2	BO31DA20N320520
1"	25	12	0-5	0-5	0-5	0-5	D	33	20	99x 77.5x 146	1.7	BO31DA20N310625
	25	12	0-5	0-5	0-5	0-5	D	33	20	99x 77.5x 146	1.6	BO31DA20N320625
1 1/4"	35	24	0-5	0-5	0-5	0-5	D	70	55	112x 86.5x 192	2.9	BO31DA20N310735
	35	24	0-5	0-5	0-5	0-5	D	70	55	112x 86.5x 192	2.6	BO31DA20N320735
1 1/2"	40	29	0-5	0-5	0-5	0-5	D	70	55	123x 94x 203	3.2	BO31DA20N310840
	40	29	0-5	0-5	0-5	0-5	D	70	55	123x 94x 192	3.2	BO31DA20N320840
2"	50	48	0-5	0-5	0-5	0-5	D	70	55	165x 120x 226	5.6	BO31DA20N310950
	50	48	0-5	0-5	0-5	0-5	D	70	55	165x 120x 226	5.2	BO31DA20N320950
Flange connection	15	4.8	0-5	0-5	0-5	0-5	D	33	20	106x 95x 162	1.95	BO31DA20N321015
	20	7.6	0-5	0-5	0-5	0-5	D	33	20	106x 102x 165	2.15	BO31DA20N321020

Valve Selection Lis

Pipe Size G	Orifice mm	CV rate	Pressure (bar)				Coil Type To confi gure	Power		Externsions Dimensions L×W×H	Weight KG	Model Code 220VAC 50/60HZ
			Air Gas		liquid			AC 220V	DC 24V			
			AC	DC	AC	DC						
Flange connection	25	12	0-5	0-5	0-5	0-5	D	33	20	140×115×180	3.05	BO31DA20N321025
	35	24	0-5	0-5	0-5	0-5	D	70	55	152×135×235	5.4	BO31DA20N321035
	40	29	0-5	0-5	0-5	0-5	D	70	55	152×145×249	6.4	BO31DA20N321040
	50	48	0-5	0-5	0-5	0-5	D	70	55	195×160×270	8.6	BO31DA20N321050

SIZE


MODEL	L	B	C	ØD	ØE	ØF	ØG	H
DN15	106	12	2	95	45	4-14	65	162
DN20	106	12	2	102	56	4-14	75	165
DN25	140	14	2	115	95	4-14	85	180
DN35	152	15	2	135	95	4-18	100	235
DN40	152	15	2	145	95	4-18	110	249
DN50	195	16	2	160	95	4-18	125	270