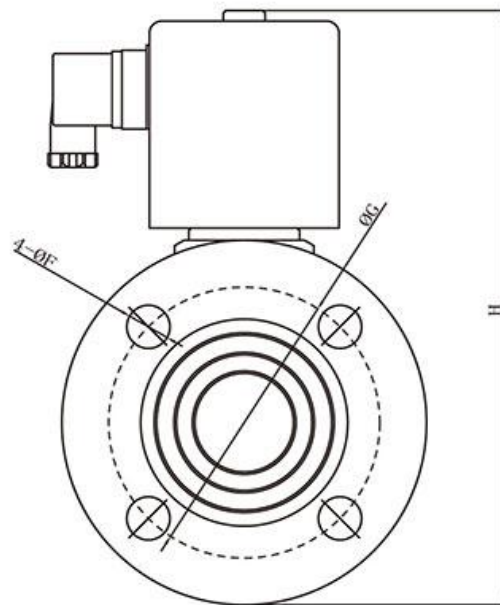
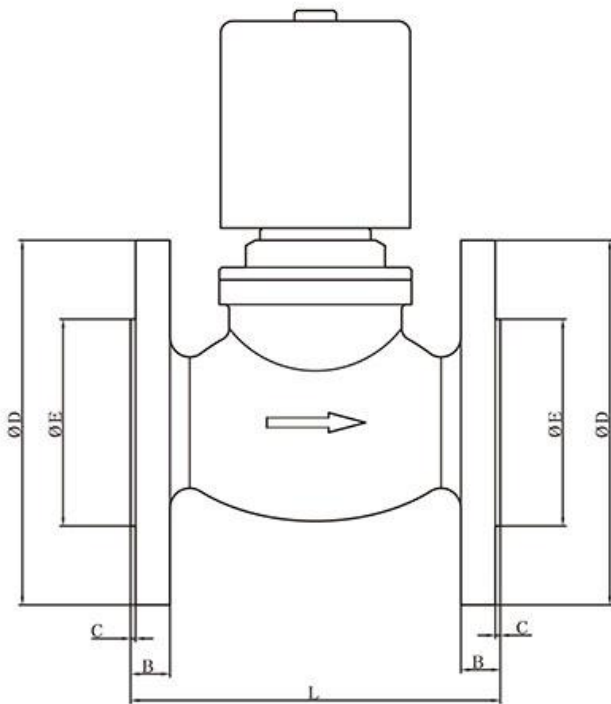


1		2	3	4	5	6	7	8	
BC34		Coil Types	Voltage	Seal Material	Body Material	Pipe Size	Orifice	Options	
B	C	34	A	A20	T	31	06	15	<input type="checkbox"/>
B: Direct Acting	C: Normally Closed	34: Series	A=Metallic Housing W=Metallic Housing Lead wires	A24=AC24V A36=AC36V A48=AC48V A10=AC110V A20=AC220V D12=DC12V D24=DC24V D36=DC36V	N=NBR T=PTFE	31=Brass 32=304	04=1/2" 05=3/4" 06=1" 07=1 1/4" 08=1 1/2" 09=2" 10= Flange connection	15=15.0 20=20.0 25=25.0 35=35.0 40=40.0 50=50.0	L=Neon Lamp J=External cooling module D=Timer N=NPT Other threads can be customized



	L	B	C	D	E	F	G	H
DN25	110	12	2	115	65	14	85	215
DN32	126	16	2	140	78	18	100	245
DN40	150	16	2	148	84	18	110	253
DN50	160	16	2	165	102	18	125	268

1. Max operation pressure: 8bar
2. Working pressure: 0–8bar
3. Body material:brass\ss304
4. Fluid media: fluid, air, steam, and light oil
5. Fluid temp:180° C
6. Voltage: AC:380V;220V 36V/50Hz DC:24V
7. Coil class: class B
8. Voltage tolerance –15% to +10%
9. Power consumption: 50w
10. Response time: open^2sec, closed Osec
11. Mounting position: flow as arrow,
solenoid vertical and upright direction. Pure fluids.

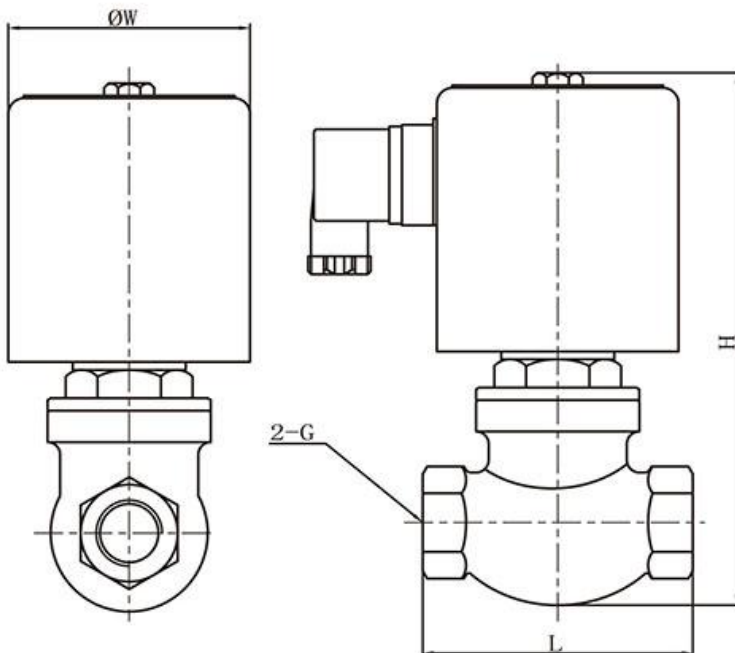


Valve Selection Lis

Pipe Size G	Orifice mm	CV rate	Pressure (bar)				Coil Type To confi gure	Power		Externsions Dimensions L x W x H	Weight KG	Model Code 220VAC 50/60HZ
			Air Gas		liquid			AC 220V	DC 24V			
			AC	DC	AC	DC						
1/2"	15	4.5	0-8	0-8	0-8	0-8	A	50	50	86x77x178	2.6	BC34AA20T310415
	15	4.5	0-8	0-8	0-8	0-8	A	50	50	86x77x178	2.6	BC34AA20T320415
3/4"	20	9.0	0-8	0-8	0-8	0-8	A	50	50	95x77x180	2.7	BC34AA20T310520
	20	9.0	0-8	0-8	0-8	0-8	A	50	50	95x77x180	2.7	BC34AA20T320520
1"	25	13	0-8	0-8	0-8	0-8	A	50	50	105x85x190	4.0	BC34AA20T310625
	25	13	0-8	0-8	0-8	0-8	A	50	50	105x85x190	3.8	BC34AA20T320625
1 1/4"	35	26	0-8	0-8	0-8	0-8	A	50	50	115x85x210	4.4	BC34AA20T310735
	35	26	0-8	0-8	0-8	0-8	A	50	50	115x85x210	4.2	BC34AA20T320735
1 1/2"	40	35	0-8	0-8	0-8	0-8	A	50	50	130x85x223	4.8	BC34AA20T310840
	40	35	0-8	0-8	0-8	0-8	A	50	50	130x85x223	4.6	BC34AA20T320840
2"	50	45	0-8	0-8	0-8	0-8	A	50	50	150x85x228	5.8	BC34AA20T310950
	50	45	0-8	0-8	0-8	0-8	A	50	50	150x85x228	5.8	BC34AA20T320950
flange connec- tion	25	13	0-8	0-8	0-8	0-8	A	50	50	110x115x215	5.4	BC34AA20T311025
	25	13	0-8	0-8	0-8	0-8	A	50	50	110x115x215	5.4	BC34AA20T321025
	35	26	0-8	0-8	0-8	0-8	A	50	50	126x140x245	5.9	BC34AA20T311035
	35	26	0-8	0-8	0-8	0-8	A	50	50	126x149x245	5.9	BC34AA20T321035

Valve Selection Lis

Pipe Size G	Orifice mm	CV rate	Pressure (bar)				Coil Type	Power		Externsions Dimensions L x W x H	Weight KG	Model Code 220VAC 50/60HZ
			Air Gas		liquid			To confi gure	AC 220V			
			AC	DC	AC	DC						
flange connec- tion	40	35	0-8	0-8	0-8	0-8	A	50	50	150x 148x 253	8.5	BC34AA20T311040
	40	35	0-8	0-8	0-8	0-8	A	50	50	150x 148x 253	8.5	BC34AA20T321040
	50	45	0-8	0-8	0-8	0-8	A	50	50	160x 165x 268	9.8	BC34AA20T311050
	50	45	0-8	0-8	0-8	0-8	A	50	50	160x 165x 268	9.8	BC34AA20T321050



MODEL	L	W	H	G
ZQDF-15	86	77	178	G1/2
ZQDF-20	95	77	180	G3/4
ZQDF-25	105	90	190	G1
ZQDF-35	115	90	210	G1 1/4
ZQDF-40	130	90	223	G1 1/2
ZQDF-50	150	90	228	G2