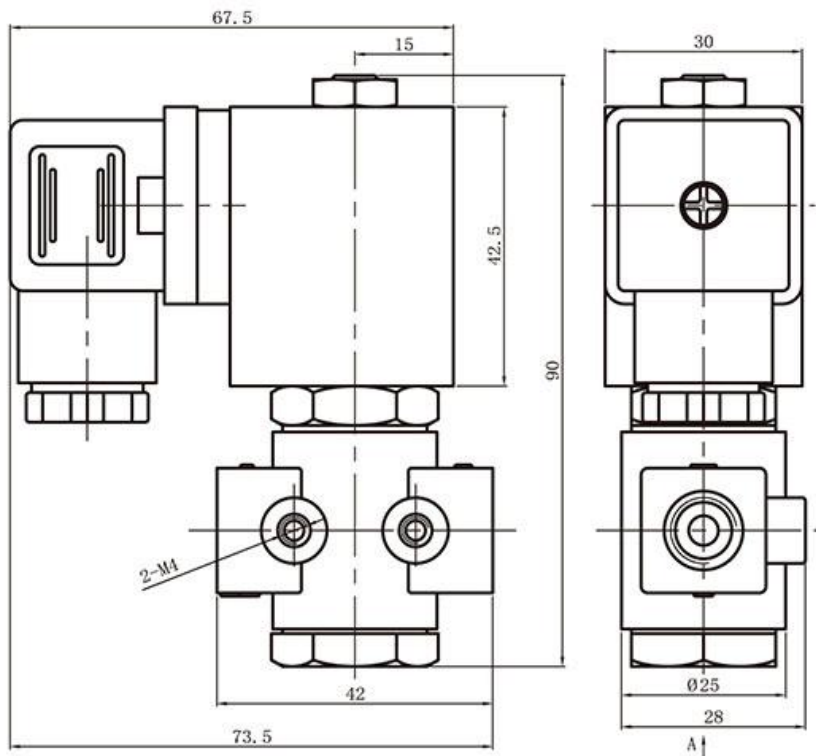


1			2	3	4	5	6	7	8
AO10			Coil Types	Voltage	Seal Material	Body Material	Pipe Size	Orifice	Options
A	O	10	D	A20	N	31	03	04	
A: Direct Acting	C: Normally Closed	10: Series	D=Din Standard Connections, Fully Encapsulated N=Lead Wires, Water-light, Fully Encapsulated E=Explosion-proof	A24=AC24V A36=AC36V A48=AC48V A10=AC110V A20=AC220V D12=DC12V D24=DC24V D36=DC36V	N=NBR V=VITON E=EPDM	31=Forged Brass 33=316	01=1/8" 02=1/4"	01=1.0 02=2.0 03=3.0 04=4.0 R2=1.5 R3=2.5	L=Neon Lamp J=External cooling module D=Timer N=NPT Other threads can be customized



characteristic:

- 1、2/2-way Direct Acting、closed when energized, Open when de-energized
- 2、Automatic control of neutral gases and liquids
- 3、Small volume, large flow, simple structure

Control: Direct Acting

Body Material: Brass、316

Maximum Pressure Resistance: 45bar

Maximum Work Pressure: 0~30bar

Ambient Temperature: 0°C~65°C

Install: Flow as the arrow, 1 in 2 out ,Horizontal installation

Standard Voltage: AC: 220V/50HZ 240/60HZ, AC110V

DC: 24V, 12V

Voltage fluctuations: +10%~-10%

Protection Level: IP65 100%ED

Seal: NBR(N)、EPDM(E)、VITON(V)

Electrical connection: Standard Connections (PG11)

Lead Wires (Optional)

Medium viscosity: 20cst

Medium: neutral gases and liquids

Medium Temperature: NBR (-10~+80°C)

EPDM (-30~+130°C)

VITON (-20~+150°C)



Valve Selection Lis

Pipe Size G	Orifice mm	CV rate	Pressure (bar)				Coil Type To configure	Power		Externsions Dimensions L x W x H	Weight KG	Model Code 220VAC 50/60HZ
			Air Gas		liquid			AC 220V	DC 24V			
			AC	DC	AC	DC						
18"	1.0	0.04	0-30	0-30	0-30	0-30	D	22	13	42x28x90	0.34	AO10DA20N310101
	1.5	0.09	0-20	0-20	0-20	0-20	D	22	13	42x28x90	0.4	AO10DA20N3101R2
	2.0	0.1	0-18	0-18	0-18	0-18	D	22	13	42x28x90	0.4	AO10DA20N310102
	2.5	0.2	0-15	0-15	0-15	0-15	D	22	13	42x28x90	0.4	AO10DA20N3101R3
	3.0	0.25	0-12	0-12	0-12	0-12	D	22	13	42x28x90	0.4	AO10DA20N310103
	4.0	0.4	0-5	0-5	0-5	0-5	D	22	13	42x28x90	0.4	AO10DA20N310104
14"	1.0	0.04	0-30	0-30	0-30	0-30	D	22	13	42x28x90	0.34	AO10DA20N310201
	1.5	0.09	0-20	0-20	0-20	0-20	D	22	13	42x28x90	0.39	AO10DA20N3102R2
	2.0	0.1	0-18	0-18	0-18	0-18	D	22	13	42x28x90	0.39	AO10DA20N310202
	2.5	0.2	0-15	0-15	0-15	0-15	D	22	13	42x28x90	0.39	AO10DA20N3102R3
	3.0	0.3	0-12	0-12	0-12	0-12	D	22	13	42x28x90	0.39	AO10DA20N310203
	4.0	0.4	0-5	0-5	0-5	0-5	D	22	13	42x28x90	0.39	AO10DA20N310204