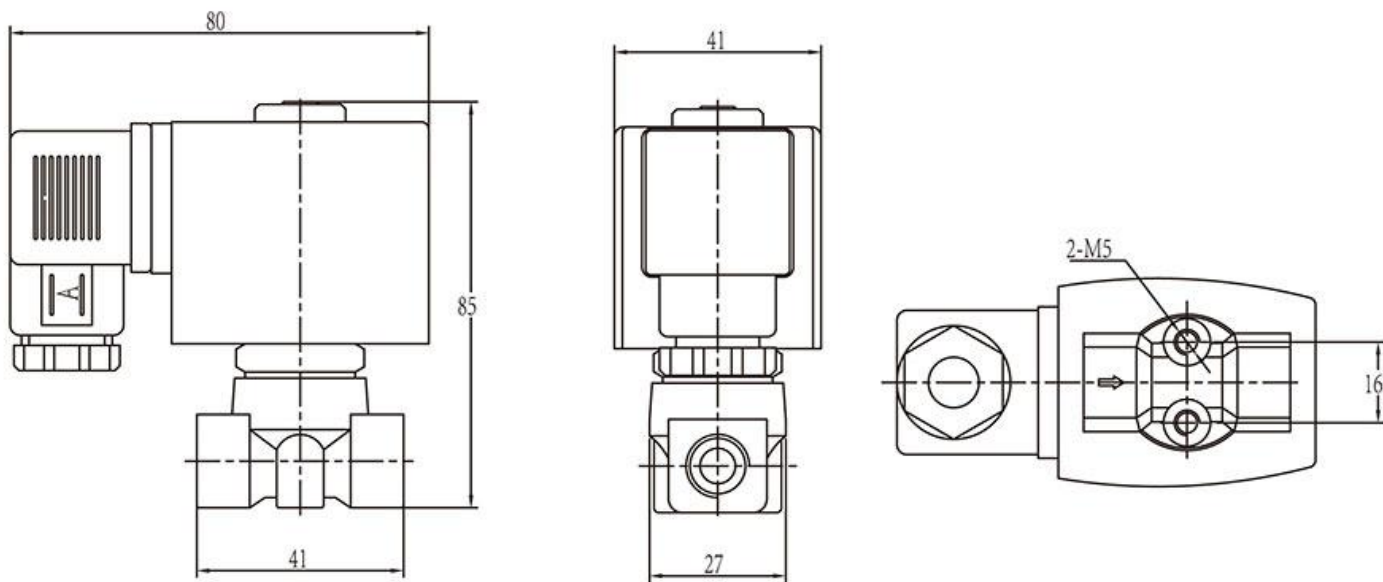


1			2	3	4	5	6	7	8
Ac15			Coil Types	Voltage	Seal Material	Body Material	Pipe Size	Orifice	Options
A	C	15	D	A20	N	31	01	01	
A: Direct Acting	C: Normally Closed	15: Series	D=Din Standard Connections, Fully Encapsulated  M=Low Power	A24=AC24V A36=AC36V A48=AC48V A10=AC110V A20=AC220V D12=DC12V D24=DC24V D36=DC36V	N=NBR  V=VITON  E=EPDM	31=Forged Brass  32=304	01=1/8" 02=1/4"	01=1.0 02=2.0 03=3.0 R1=1.2 R2=1.5 R3=2.5	L=Neon Lamp J=External cooling module D=Timer N=NPT Other threads can be customized



characteristic:

- 1、2/2-way Direct Acting, Open when energized, closed when de-energized
- 2、Automatic control of neutral gases and liquids
- 3、Small volume, large flow, simple structure
- 4、High pressure, quick response

Control: Direct Acting

Body Material: Brass、Stainless steel  
 304(316 can be customized)

Maximum Pressure Resistance: 250bar Maximum  
 Work Pressure: 150bar

Ambient Temperature: 0℃~65℃

Install: Flow as the arrow, Horizontal installation

Standard Voltage: AC: 220V/50HZ 240/60HZ,  
 AC110V, DC24V, 12V……

Voltage fluctuations: +10%~-10%

Protection Level: IP65 100%ED

Seal: NBR(N)、EPDM(E)、VITON(V)

Electrical connection: Standard Connections ( PG11)

Lead Wires ( Optional )

Medium viscosity: 20cst



Medium: neutral gases and liquids

Medium Temperature: NBR (-10~+80℃)

EPDM (-30~+130℃)

VITON (-20~+150℃)

PTFE(-40~+180℃)

### Valve Selection Lis

Pipe Size G	Orifice mm	CV rate	Pressure ( bar )				Coil Type	Power		Externsions Dimensions L x W x H	Weight KG	Model Code 220VAC 50/60HZ	
			Air Gas		liquid			To confi gure	AC 220V				DC 24V
			AC	DC	AC	DC							
18"	1.0	0.04	0-150	0-100	0-150	0-100	D	19	17	41x27x85	0.46	AC15DA20N310101	
	1.2	0.05	0-150	0-100	0-150	0-100	D	19	17	41x27x85	0.46	AC15DA20N3101R1	
	1.5	0.08	0-130	0-86	0-130	0-86	D	19	17	41x27x85	0.46	AC15DA20N3101R2	
	2.0	0.14	0-90	0-60	0-90	0-60	D	19	17	41x27x85	0.46	AC15DA20N310102	
	2.5	0.23	0-60	0-40	0-60	0-40	D	19	17	41x27x85	0.46	AC15DA20N3101R3	
	3.0	0.25	0-30	0-20	0-30	0-20	D	19	17	41x27x85	0.46	AC15DA20N310103	
14"	1.0	0.04	0-150	0-100	0-150	0-100	D	22	13	41x27x85	0.45	AC15DA20N310201	
	1.2	0.05	0-150	0-100	0-150	0-100	D	22	13	41x27x85	0.45	AC15DA20N3102R1	
	1.5	0.08	0-130	0-86	0-130	0-86	D	22	13	41x27x85	0.45	AC15DA20N3102R2	
	2.0	0.14	0-90	0-60	0-90	0-60	D	22	13	41x27x85	0.45	AC15DA20N310202	
	2.5	0.23	0-60	0-40	0-60	0-40	D	22	13	41x27x85	0.45	AC15DA20N3102R3	
	3.0	0.25	0-30	0-20	0-30	0-20	D	22	13	41x27x85	0.45	AC15DA20N310203	